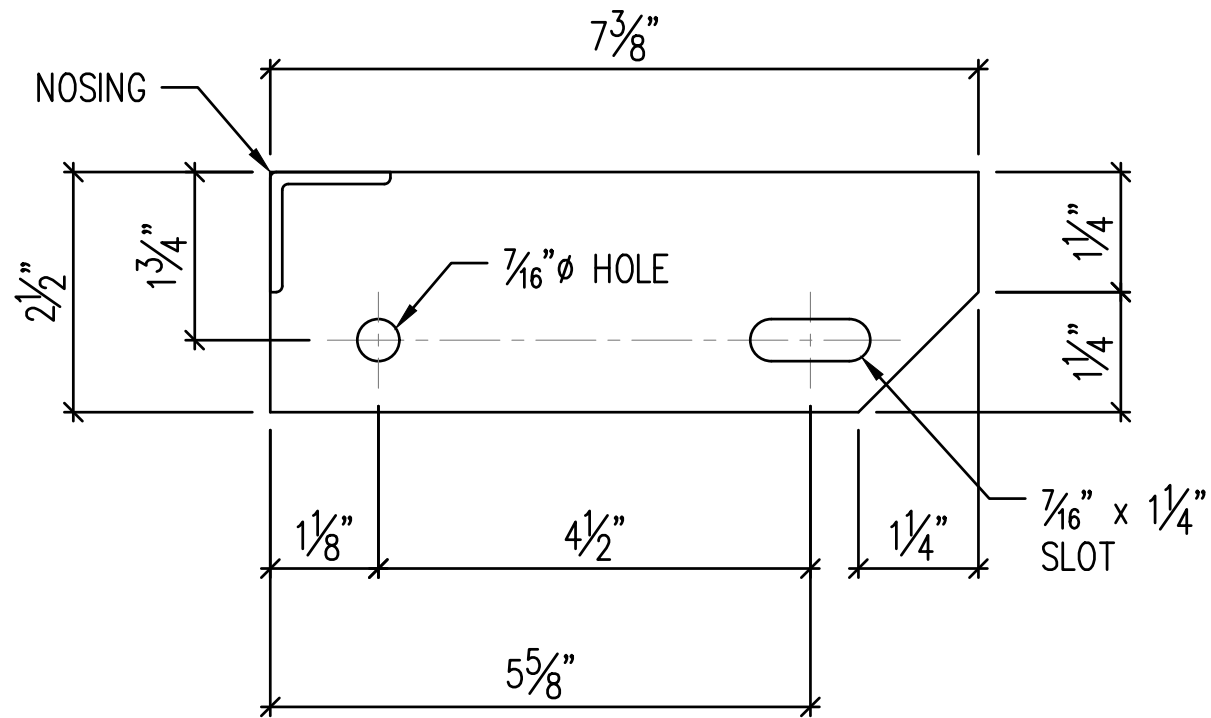
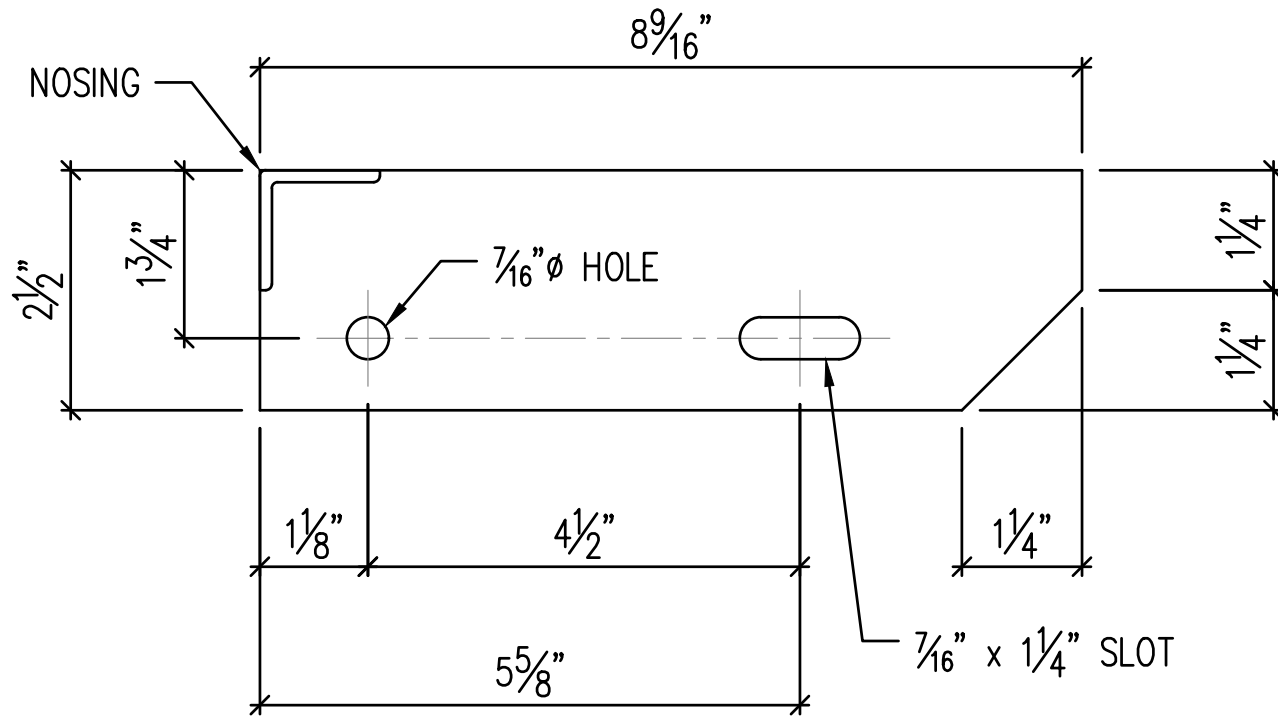


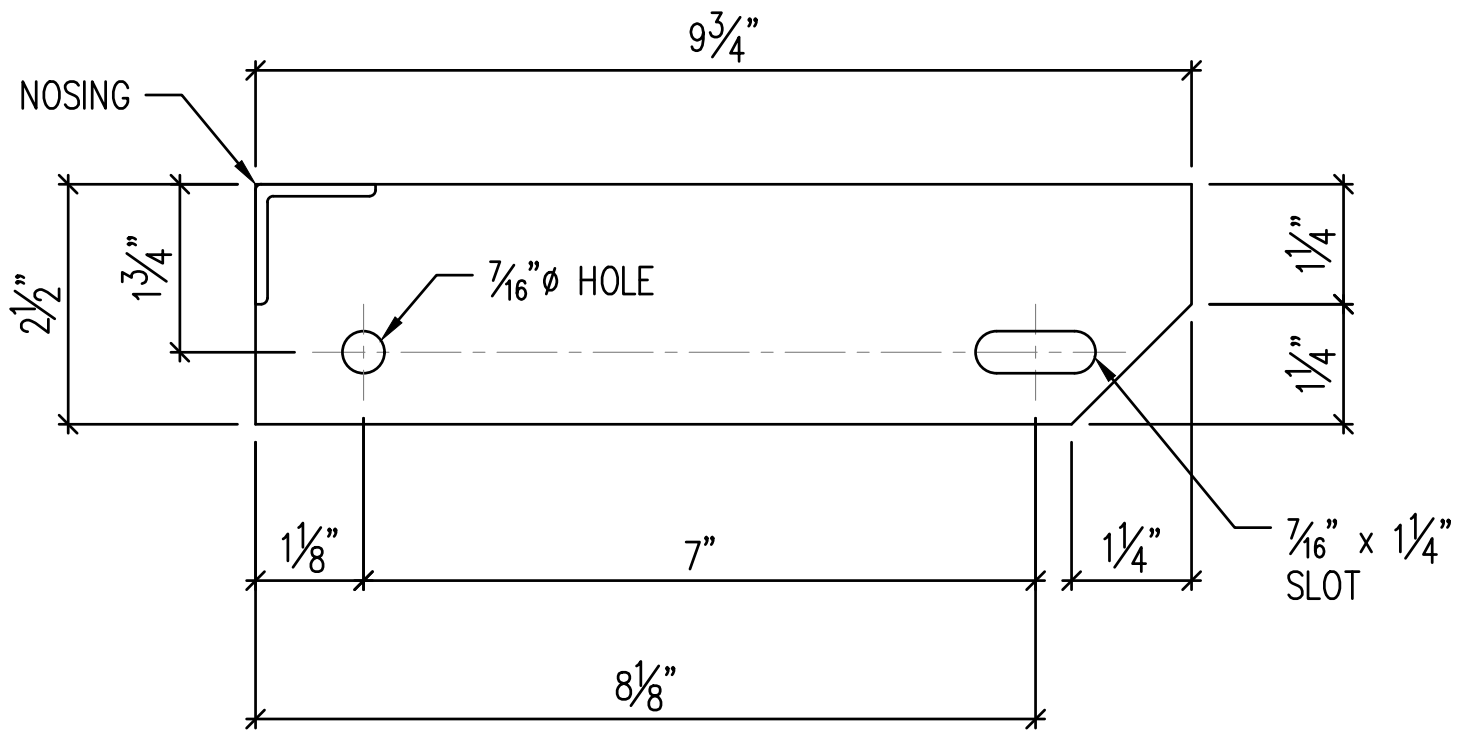
$2\frac{1}{2}$ " x $3\frac{5}{8}$ " STEEL END PLATE
 FOR $6\frac{3}{16}$ " STAIR TREADS



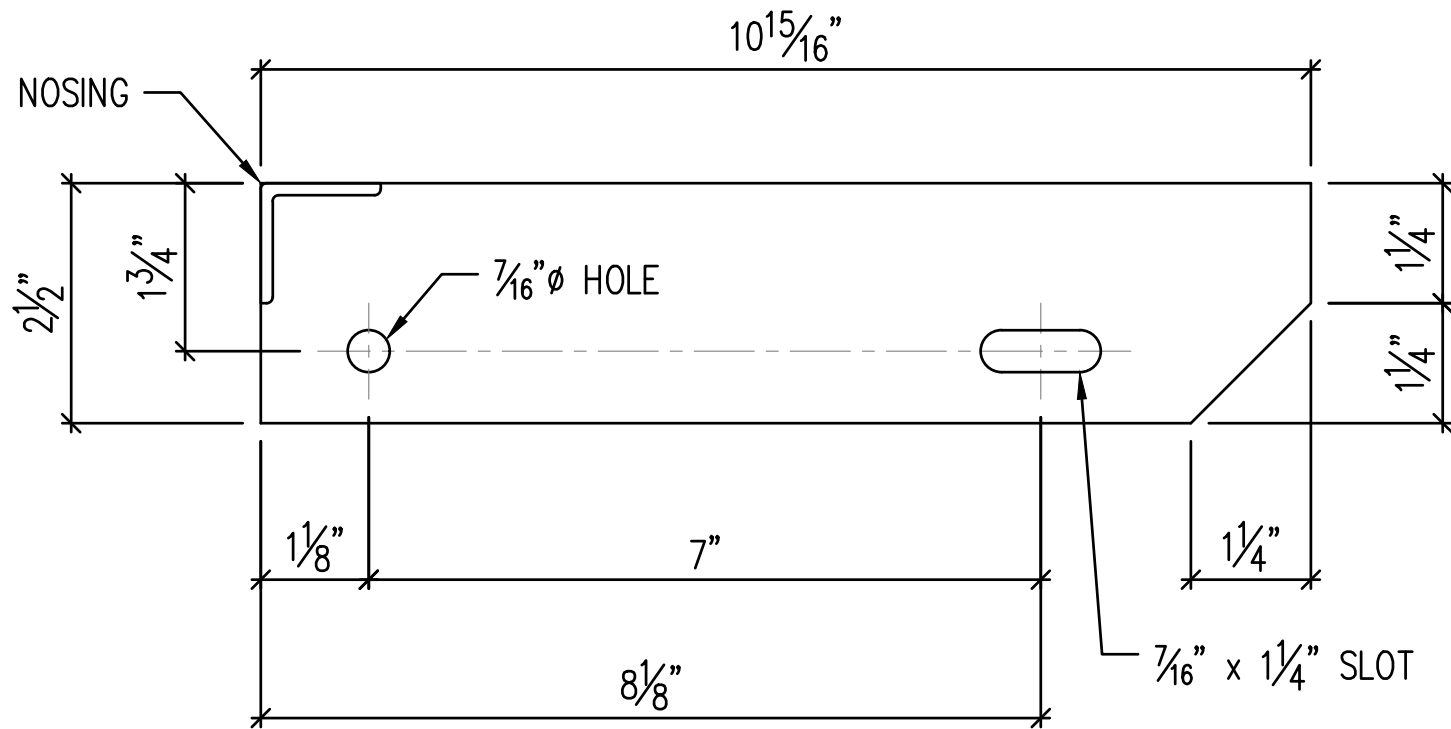
2 1/2" x 3/16" STEEL END PLATE
FOR 7 3/8" STAIR TREADS



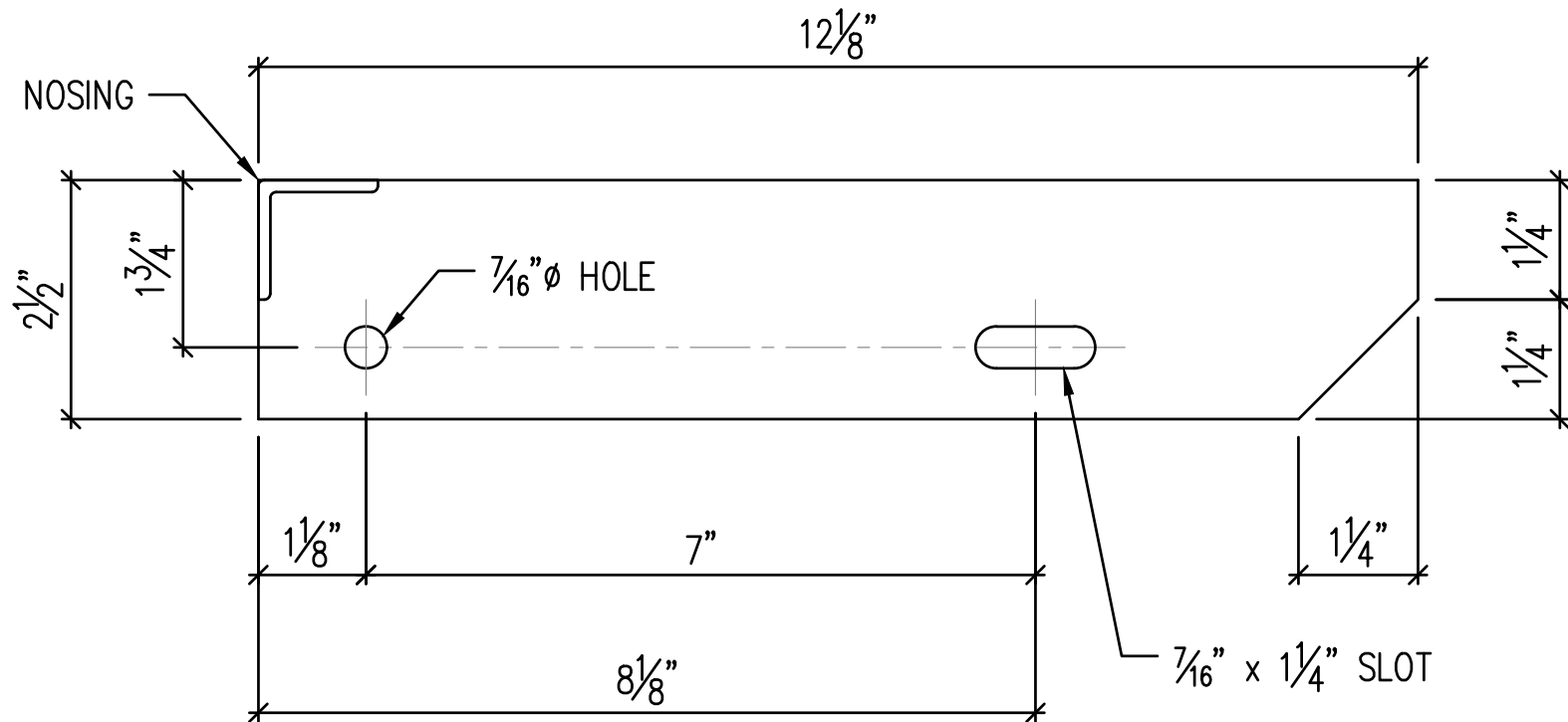
2 1/2" x 3/16" STEEL END PLATE
FOR 8 9/16" STAIR TREADS



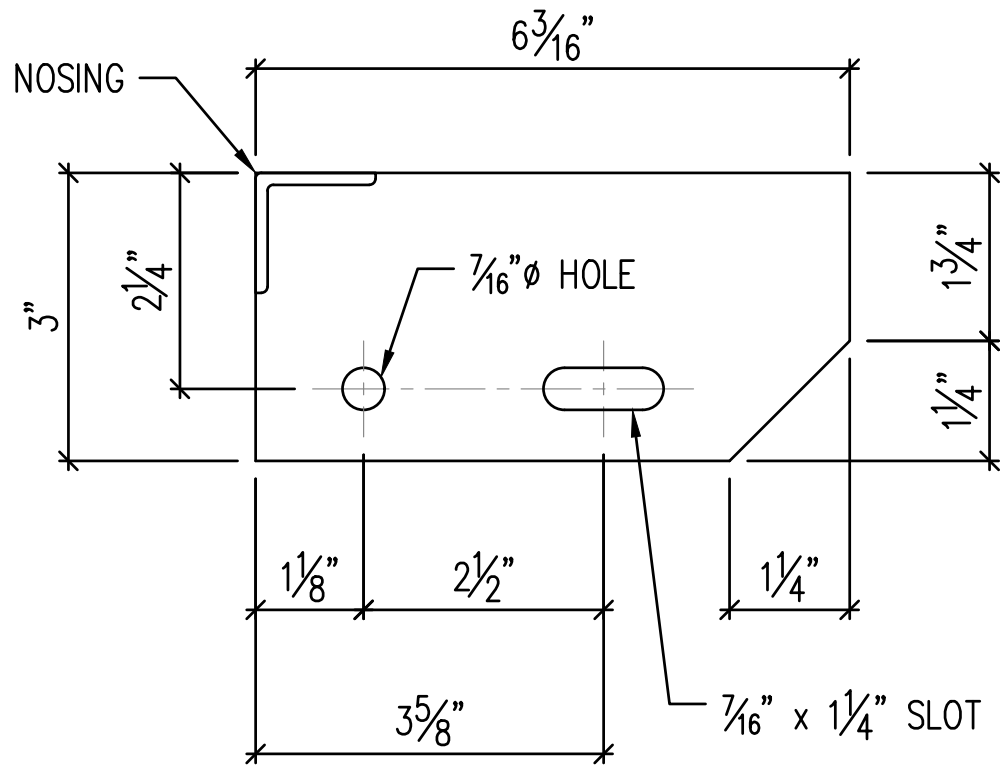
2 1/2" x 3/16" STEEL END PLATE
FOR 9 3/4" STAIR TREADS



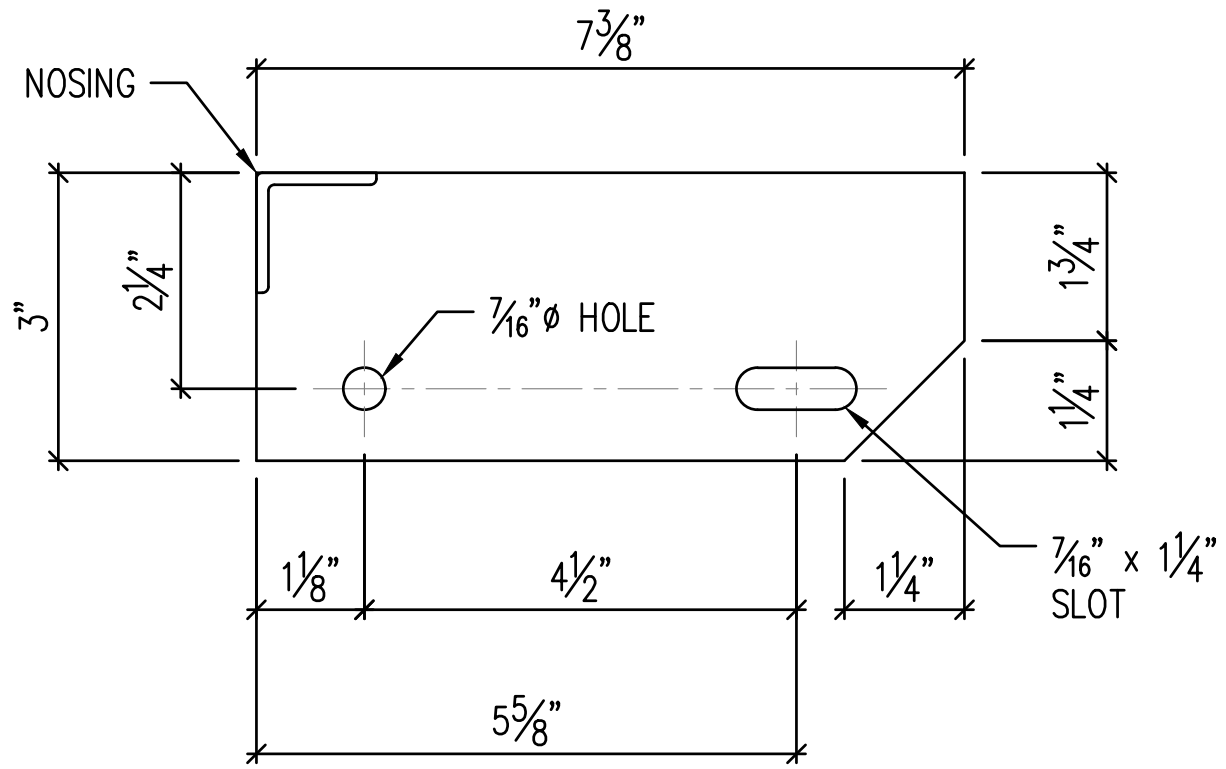
$2\frac{1}{2}$ " x $\frac{3}{16}$ " STEEL END PLATE
FOR $10\frac{15}{16}$ " STAIR TREADS



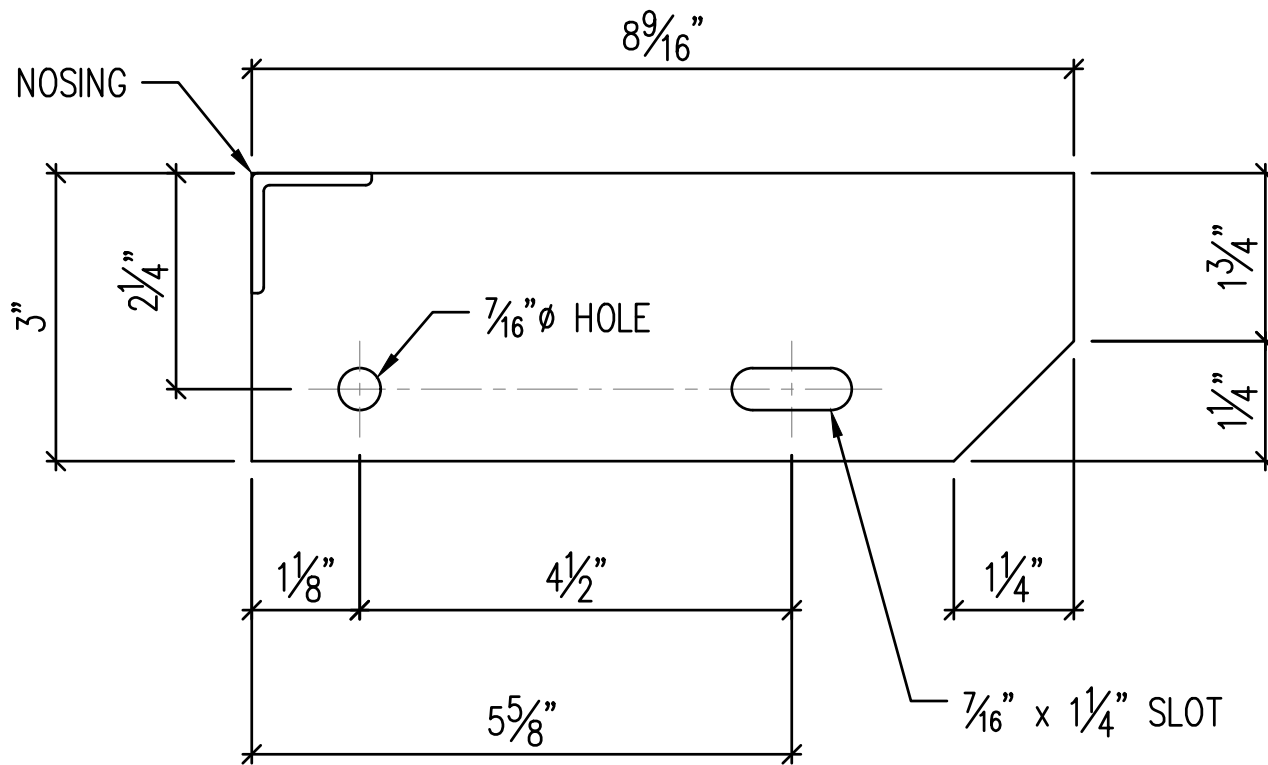
2 1/2" x 3/16" STEEL END PLATE
FOR 12 1/8" STAIR TREADS



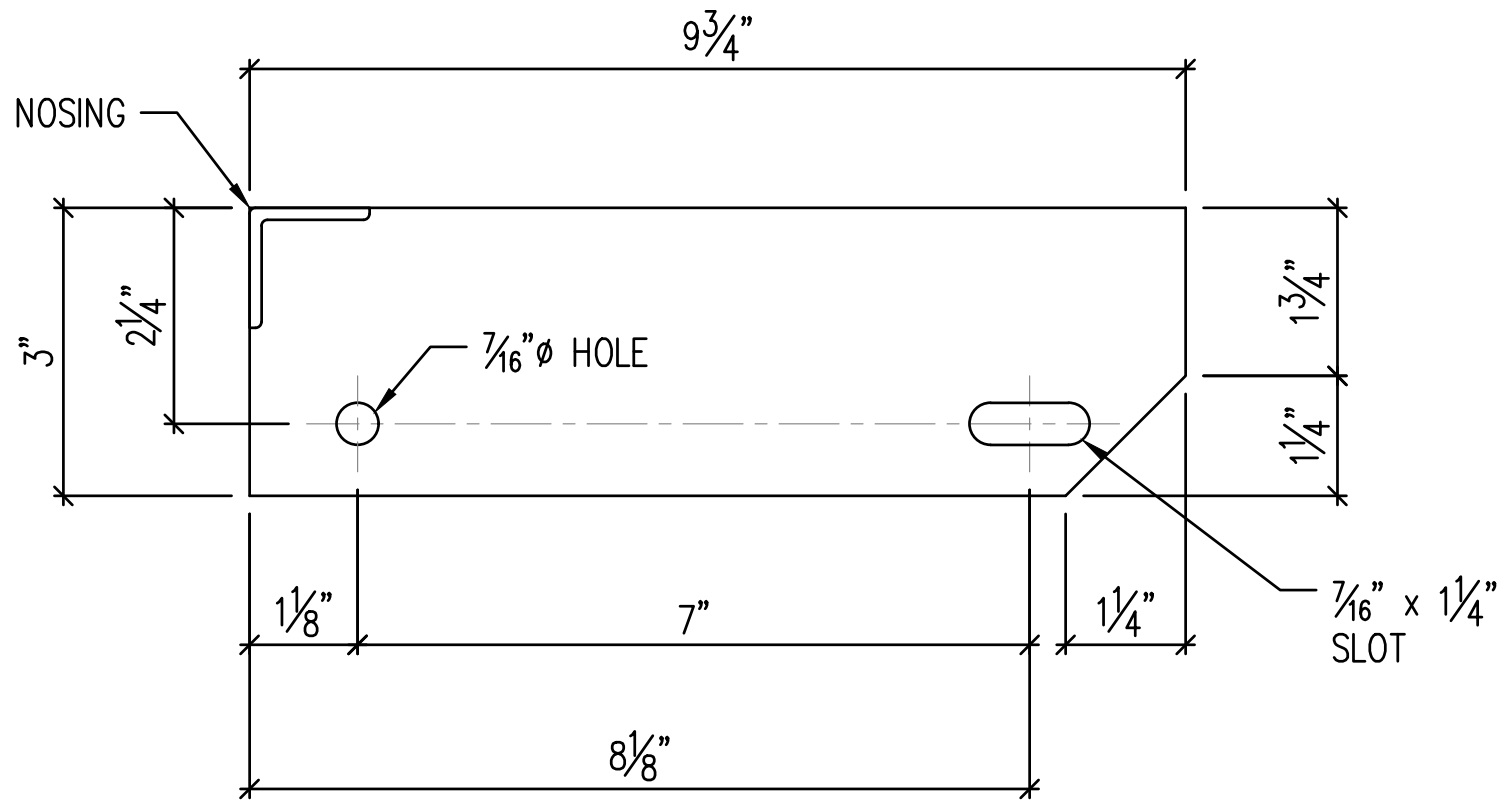
3" x $3\frac{3}{16}$ " STEEL END PLATE
 FOR $6\frac{3}{16}$ " STAIR TREADS



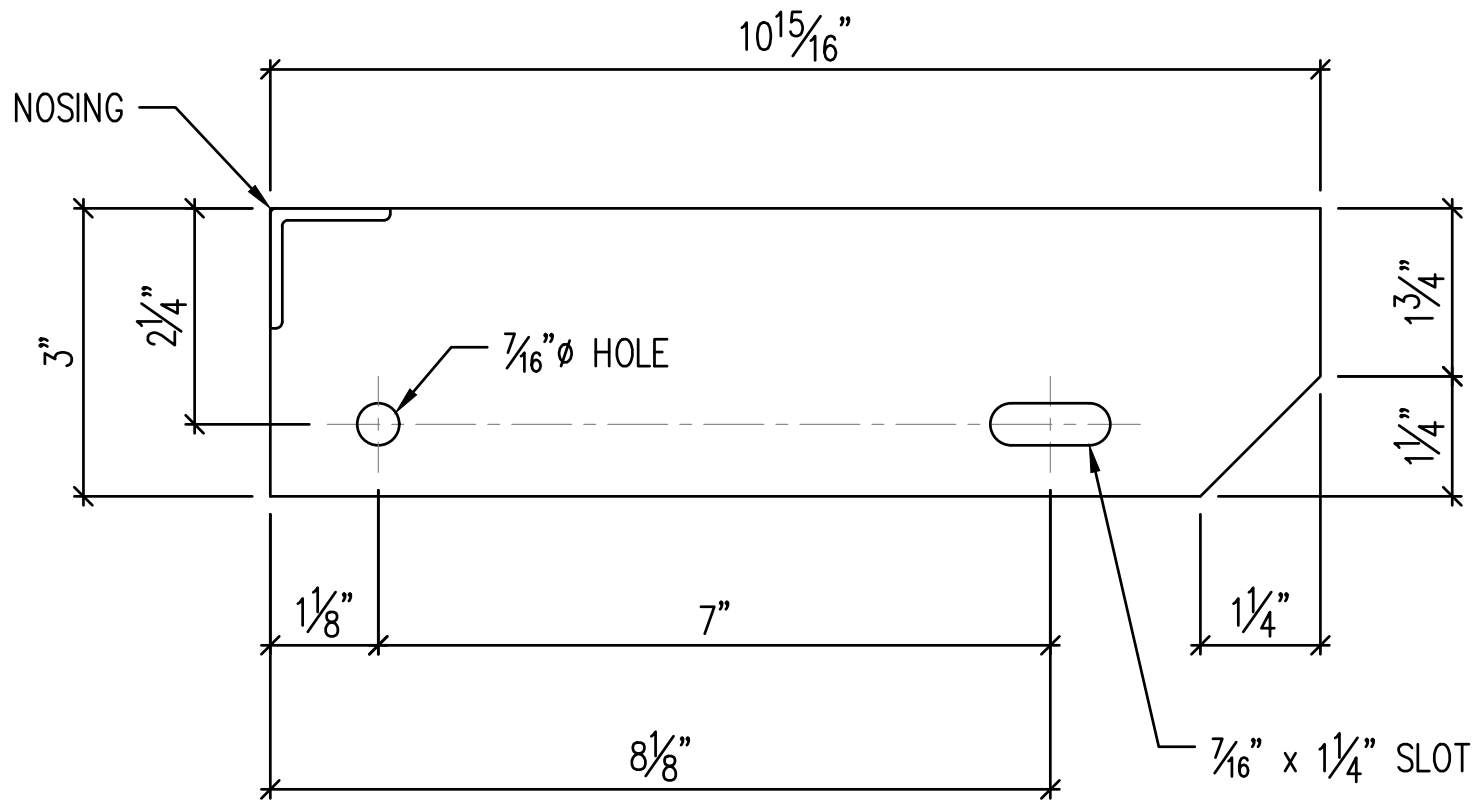
3" x 3/16" STEEL END PLATE
FOR 7 3/8" STAIR TREADS



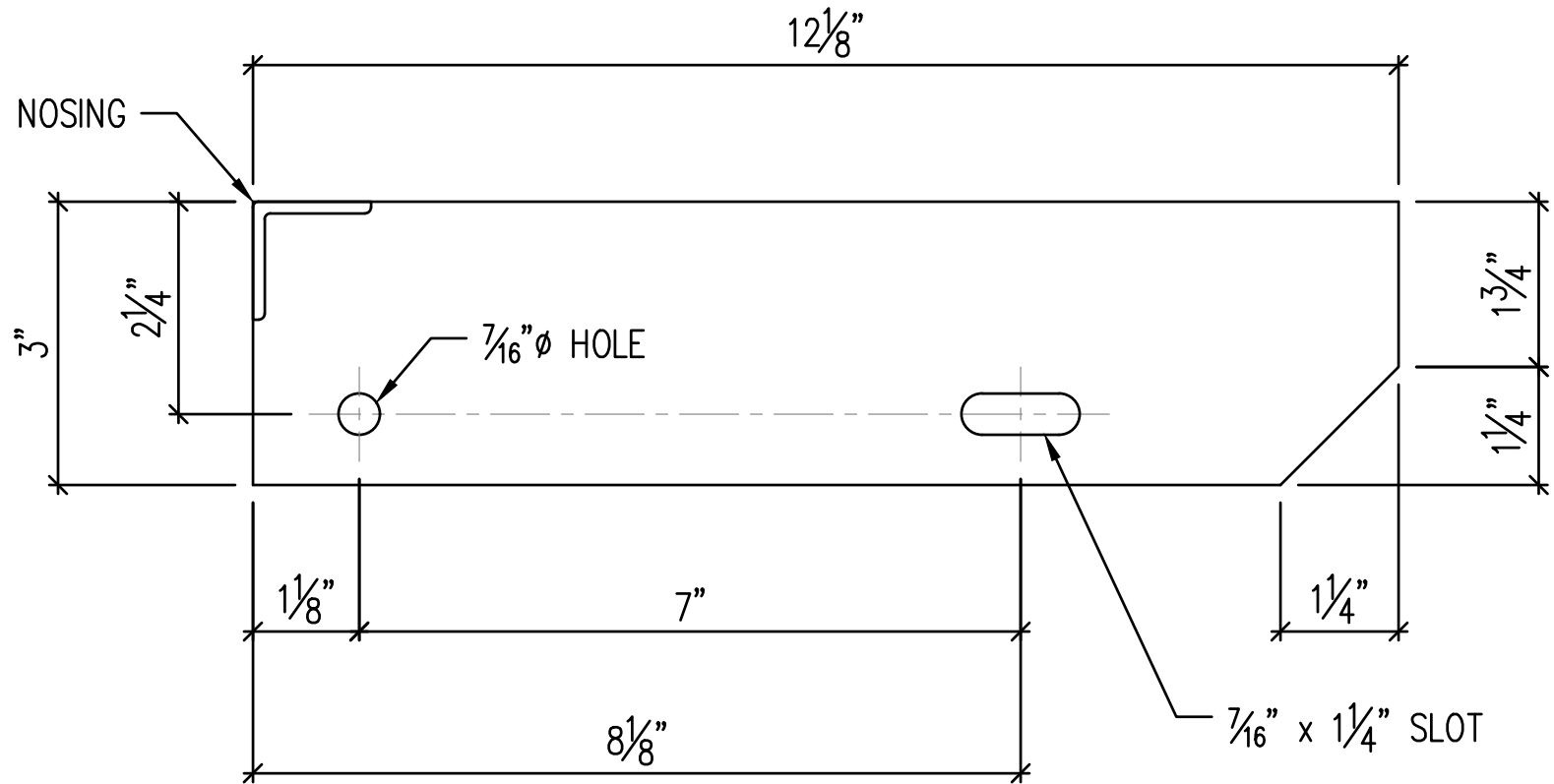
3" x $\frac{3}{16}$ " STEEL END PLATE
FOR $8\frac{9}{16}$ " STAIR TREADS



3" x 3/16" STEEL END PLATE
FOR 9 3/4" STAIR TREADS



3" x ³/₁₆" STEEL END PLATE
FOR 10 ¹⁵/₁₆" STAIR TREADS



3" x $\frac{3}{16}$ " STEEL END PLATE
 FOR $12\frac{1}{8}$ " STAIR TREADS