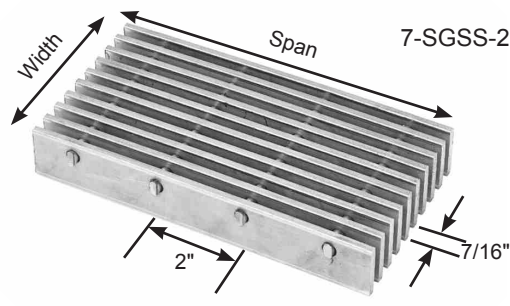
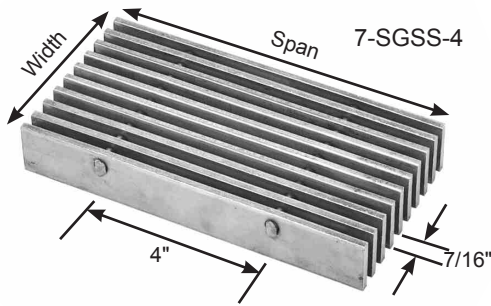


# 7 SPACE



% Open Area*		
Bars	1/8"	3/16"
4" cc	N/A	52%
2" cc	N/A	48%

Bar Size, Inches	Ped Span, Inches	Wt.* Lbs. Sq. Ft.	Sec.Prop Sx*, in <sup>3</sup>	ClearSpan													
				2'- 0"	2'- 6"	3'- 0"	3'- 6"	4'- 0"	4'- 6"	5'- 0"	5'- 6"	6'- 0"	6'- 6"	7'- 0"	8'- 0"		
3/4 x 3/16	58	14.30	0.482	U	1607	1029	714	525	402	317	257	U - Safe uniform load in pounds/sq. ft.					
				D	0.114	0.179	0.257	0.350	0.457	0.578	0.714	C - Safe concentrated load in pounds/ft. grating width					
			0.181	C	1607	1286	1071	918	804	714	643	D - Deflection in inches					
				D	0.091	0.143	0.206	0.280	0.366	0.463	0.572	Loads and deflections are theoretical and based on a unit stress of 20,000 psi.					
1 x 3/16	73	18.50	0.857	U	2857	1829	1270	933	714	564	457	378	317	271			
				D	0.086	0.134	0.193	0.263	0.343	0.434	0.536	0.649	0.770	0.907			
			0.429	C	2857	2286	1905	1633	1429	1270	1143	1039	952	879			
				D	0.069	0.107	0.154	0.210	0.274	0.347	0.429	0.519	0.617	0.724			
1-1/4 x 3/16	86	22.97	1.339	U	4464	2857	1984	1458	1116	882	714	590	496	423	364	279	
				D	0.069	0.107	0.154	0.210	0.274	0.347	0.428	0.518	0.617	0.725	0.839	1.097	
			0.837	C	4464	3571	2976	2551	2232	1984	1786	1623	1488	1374	1276	1116	
				D	0.055	0.086	0.123	0.168	0.219	0.278	0.343	0.415	0.494	0.580	0.672	0.878	
1-1/2 x 3/16	98	27.44	1.929	U	6429	4114	2857	2099	1607	1270	1029	850	714	609	525	402	
				D	0.057	0.089	0.129	0.175	0.229	0.289	0.357	0.432	0.514	0.604	0.700	0.915	
			1.446	C	6429	5143	4286	3674	3214	2857	2571	2338	2143	1978	1837	1607	
				D	0.046	0.071	0.103	0.140	0.183	0.231	0.286	0.346	0.411	0.483	0.560	0.731	
1-3/4 x 3/16	110	30.76	2.625	U	8750	5600	3889	2857	2188	1728	1400	1157	972	828	714	547	
				D	0.049	0.077	0.110	0.150	0.196	0.248	0.306	0.370	0.441	0.517	0.600	0.784	
			2.297	C	8750	7000	5833	5000	4375	3889	3500	3182	2917	2692	2500	2188	
				D	0.039	0.061	0.088	0.120	0.157	0.198	0.245	0.296	0.353	0.414	0.480	0.627	
2 x 3/16	122	36.38	3.429	U	11429	7314	5079	3732	2857	2258	1829	1511	1270	1082	933	714	
				D	0.043	0.067	0.096	0.131	0.171	0.217	0.268	0.324	0.386	0.453	0.525	0.685	
			3.429	C	11429	9143	7619	6531	5714	5079	4572	4156	3810	3517	3265	2857	
				D	0.034	0.054	0.077	0.105	0.137	0.174	0.214	0.259	0.309	0.362	0.420	0.549	
2-1/4 x 3/16	133	41.05	4.339	U	14465	9257	6429	4723	3616	2857	2314	1913	1607	1369	1181	904	
				D	0.038	0.060	0.086	0.117	0.152	0.193	0.238	0.288	0.343	0.402	0.467	0.610	
			4.882	C	14465	11572	9643	8265	7232	6429	5786	5260	4822	4451	4133	3616	
				D	0.030	0.048	0.069	0.093	0.122	0.154	0.190	0.230	0.274	0.322	0.373	0.488	
2-1/2 x 3/16	144	45.35	5.357	U	17857	11429	7937	5831	4464	3527	2857	2361	1984	1691	1458	1116	
				D	0.034	0.054	0.077	0.105	0.137	0.174	0.214	0.259	0.309	0.362	0.420	0.549	
			6.697	C	17857	14286	11905	10204	8929	7937	7143	6494	5952	5495	5102	4464	
				D	0.027	0.043	0.062	0.084	0.110	0.139	0.171	0.207	0.247	0.290	0.336	0.439	

\*Based on 27.429 bars/ft. of grating width. Bearing bars 7/16" c.c. Add .6 lbs./sq. ft. for 7-SGSS-2. 1/8" bearing bars available by inquiry. **Note:** Grating for spans to the left of the heavy line have a deflection less than 1/4" for uniform loads of 100 lbs./sq. ft. This is the maximum deflection to afford pedestrian comfort and can be exceeded for other types of load at the discretion of the engineer. The actual Ped (pedestrian) Span under this condition is shown above for each size of grating. When serrated grating is specified, the depth of grating required for a specific load will be 1/4" greater than that shown in these tables. 3/4" x 3/16" serrated grating is not available.

Panel Width Chart (in.) - 7-SGSS-4 & 7-SGSS-2															
Dimensions Are Out-to-Out of Bearing Bars**															
No. of Bars	2	3	4	5	6	7	8	9	10	11	12	13	14	15	16
3/16" Bars	5/8	1-1/16	1-1/2	1-15/16	2-3/8	2-13/16	3-1/4	3-11/16	4-1/8	4-9/16	5	5-7/16	5-7/8	6-5/16	6-3/4
No. of Bars	17	18	19	20	21	22	23	24	25	26	27	28	29	30	31
3/16" Bars	7-3/16	7-5/8	8-1/16	8-1/2	8-15/16	9-3/8	9-13/16	10-1/4	10-11/16	11-1/8	11-9/16	12	12-7/16	12-7/8	13-5/16
No. of Bars	32	33	34	35	36	37	38	39	40	41	42	43	44	45	46
3/16" Bars	13-3/4	14-3/16	14-5/8	15-1/16	15-1/2	15-15/16	16-3/8	16-13/16	17-1/4	17-11/16	18-1/8	18-9/16	19	19-7/16	19-7/8
No. of Bars	47	48	49	50	51	52	53	54	55	56	57	58	59	60	61
3/16" Bars	20-5/16	20-3/4	21-3/16	21-5/8	22-1/16	22-1/2	22-15/16	23-3/8	23-13/16	24-1/4	24-11/16	25-1/8	25-9/16	26	26-7/16
No. of Bars	62	63	64	65	66	67	68	69	70	71	72	73	74	75	76
3/16" Bars	26-7/8	27-5/16	27-3/4	28-3/16	28-5/8	29-1/16	29-1/2	29-15/16	30-3/8	30-13/16	31-1/4	31-11/16	32-1/8	32-9/16	33
No. of Bars	77	78	79	80	81	82	83								
3/16" Bars	33-7/16	33-7/8	34-5/16	34-3/4	35-3/16	35-5/8	36-1/16								

\*\*Add 1/4" for extended cross bars. Deduct 1/16" for 1/8" bearing bars. Standard panel widths indicated in red.