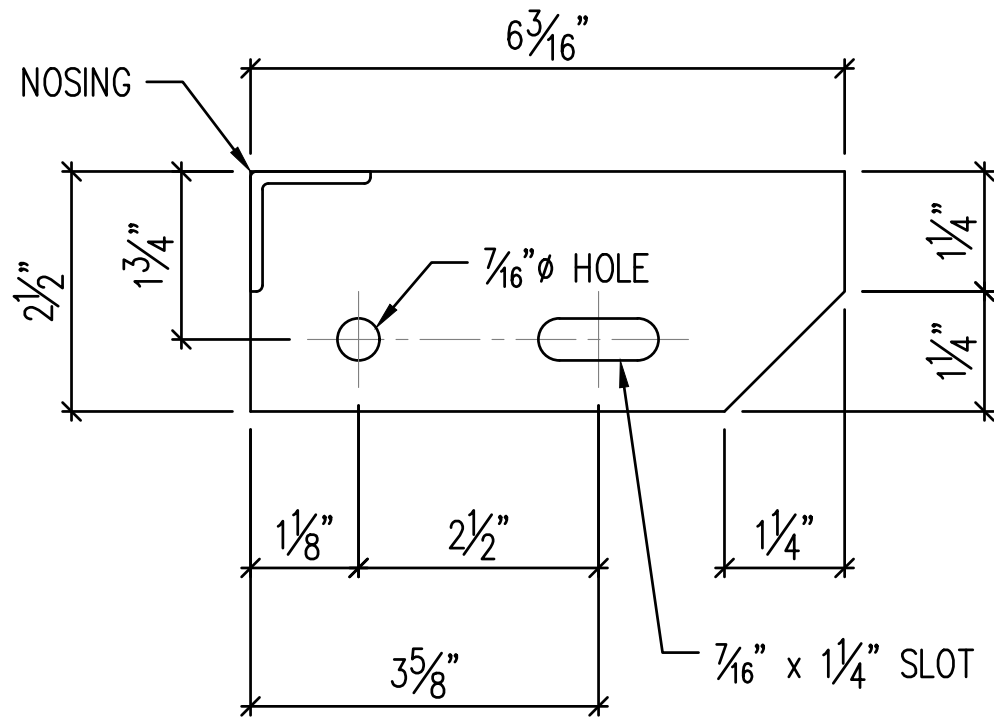


2 1/2" x 3/16" STEEL END PLATE
FOR 5" STAIR TREADS

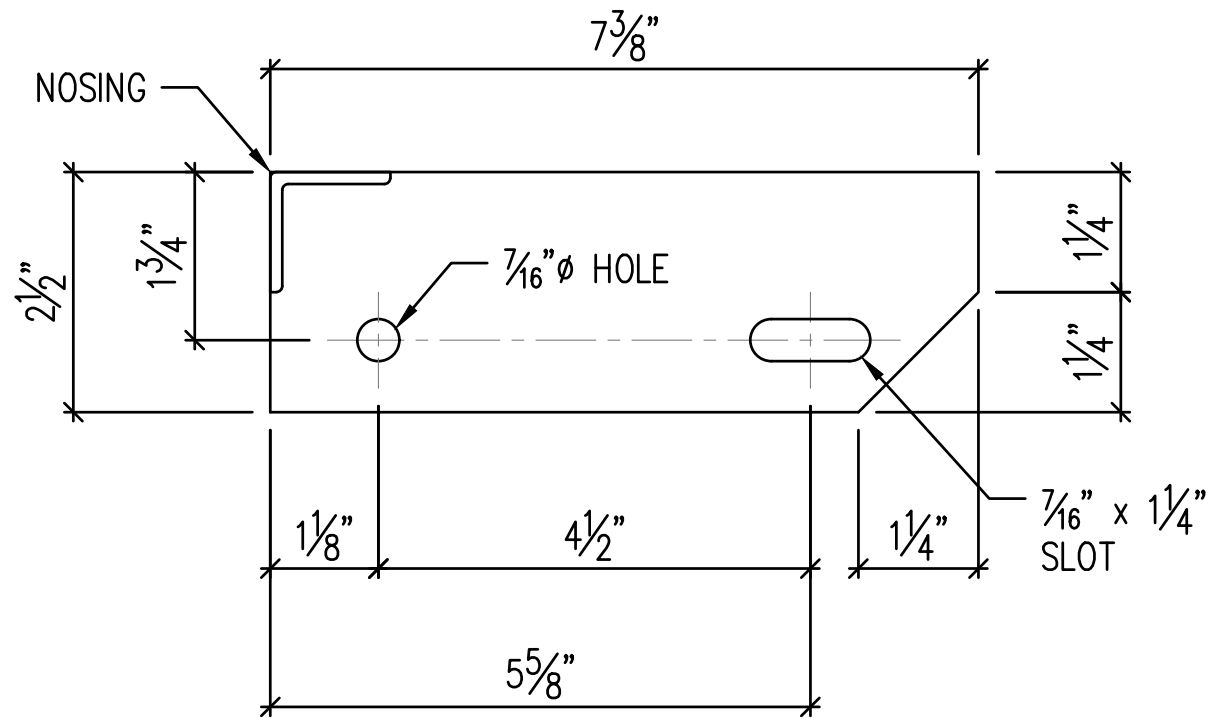
Used for grating depths up to and including 1-1/4".





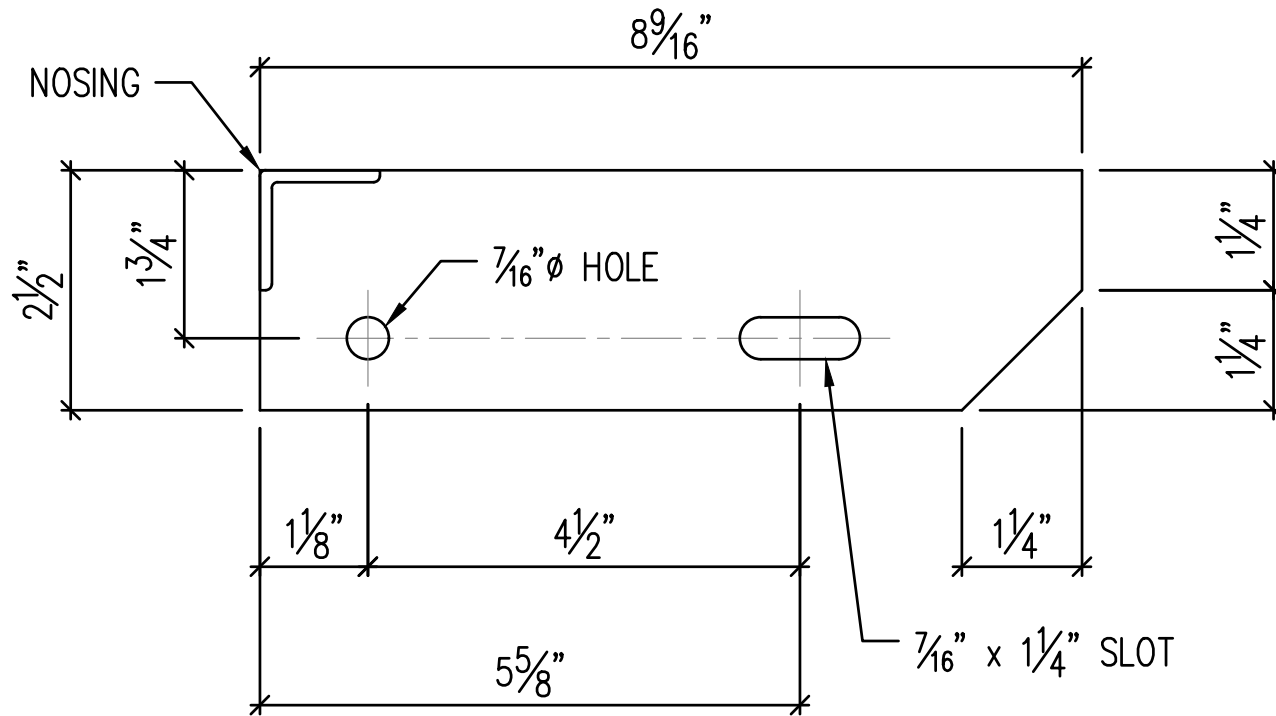
$2\frac{1}{2}$ " x $\frac{3}{16}$ " STEEL END PLATE
 FOR $6\frac{3}{16}$ " STAIR TREADS
 Used for grating depths up to and including 1-1/4".





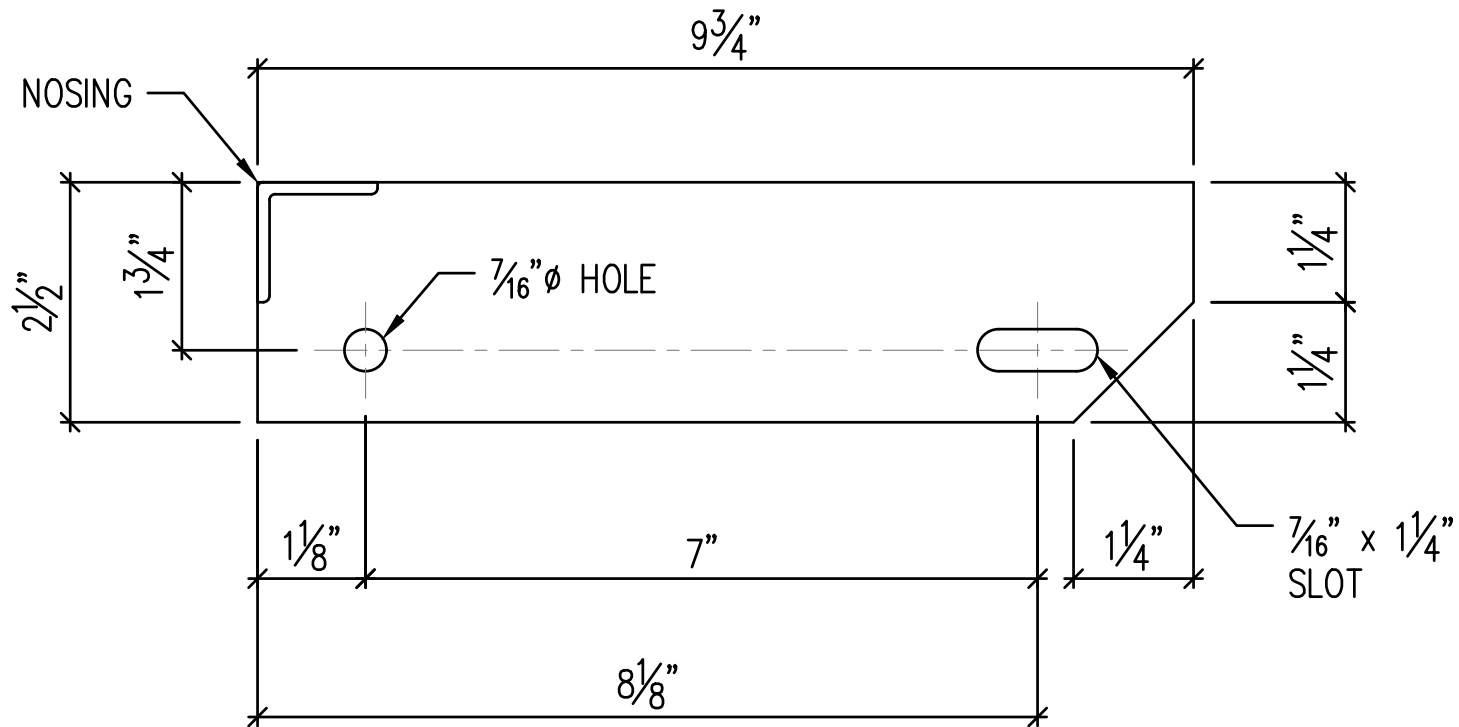
$2\frac{1}{2}$ " x $\frac{3}{16}$ " STEEL END PLATE
 FOR $7\frac{3}{8}$ " STAIR TREADS
 Used for grating depths up to and including 1-1/4".





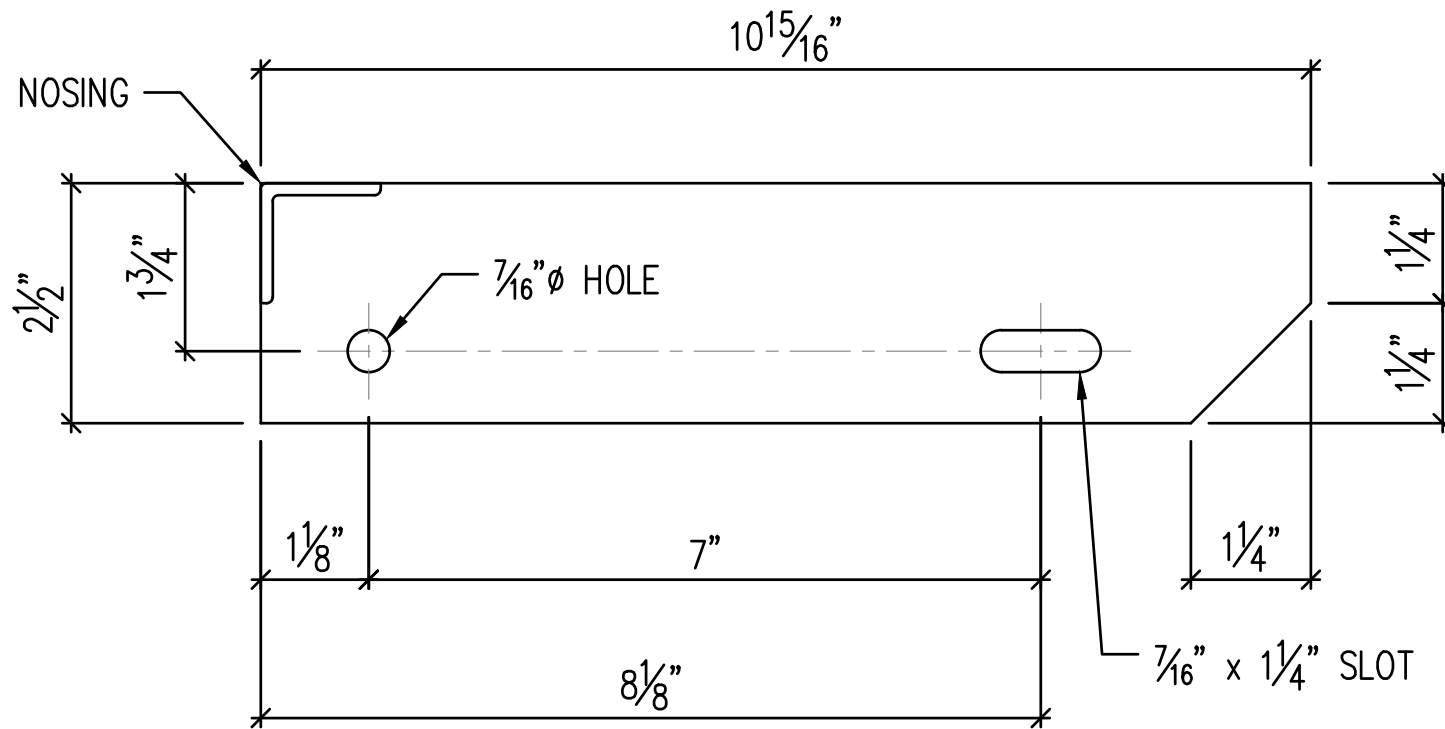
$2\frac{1}{2}$ " x $\frac{3}{16}$ " STEEL END PLATE
 FOR $8\frac{9}{16}$ " STAIR TREADS
 Used for grating depths up to and including 1-1/4".





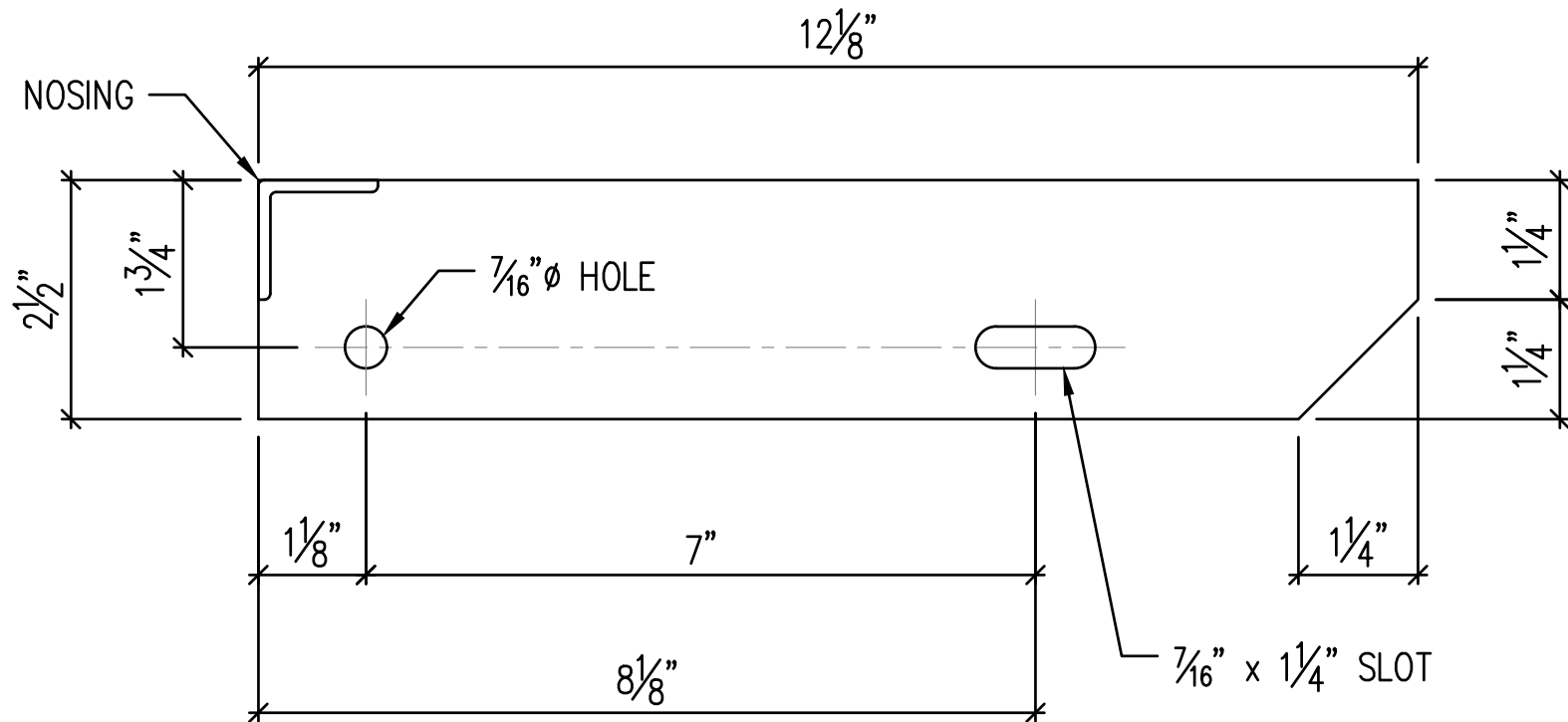
2 1/2" x 3/16" STEEL END PLATE
 FOR 9 3/4" STAIR TREADS
 Used for grating depths up to and including 1-1/4".





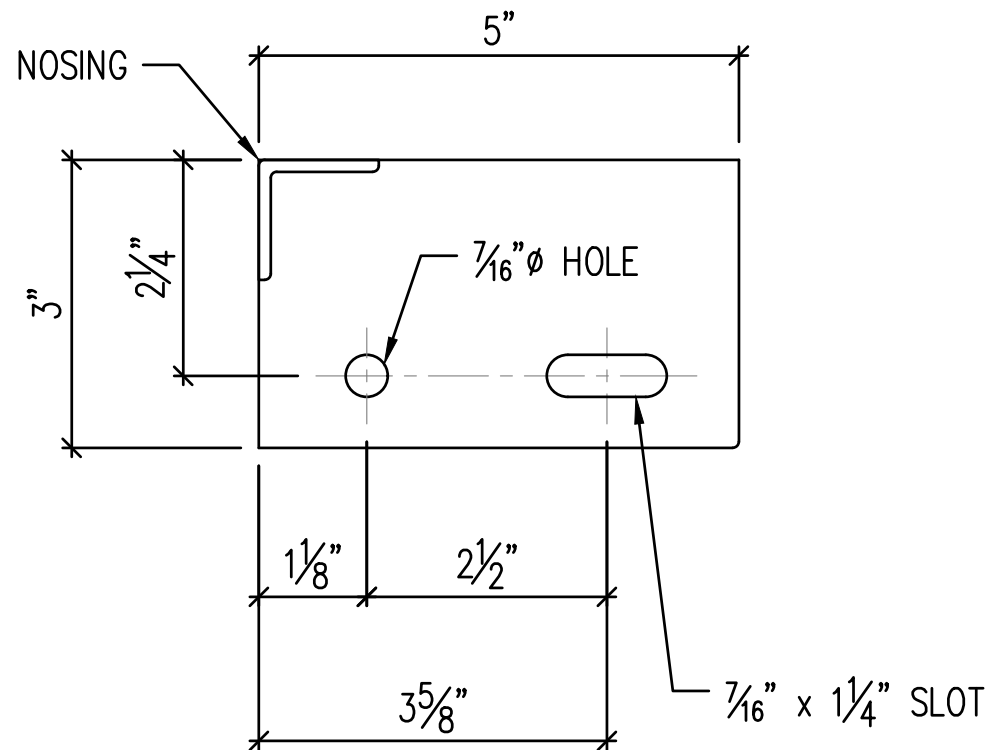
$2\frac{1}{2}$ " x $\frac{3}{16}$ " STEEL END PLATE
 FOR $10\frac{15}{16}$ " STAIR TREADS
 Used for grating depths up to and including 1-1/4".





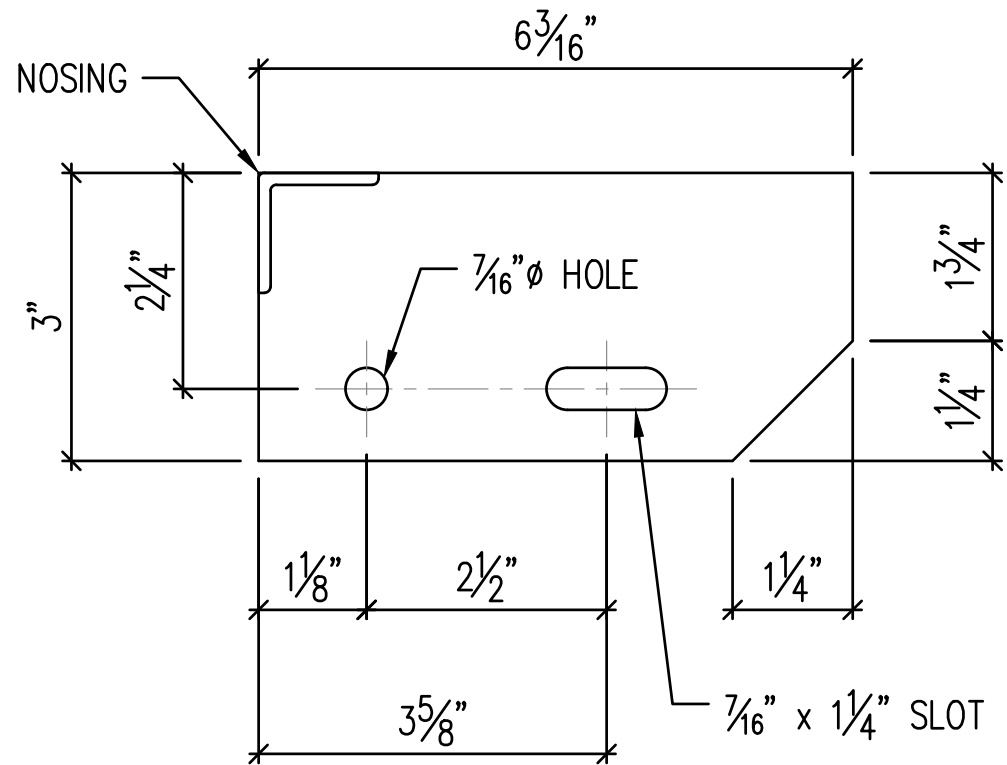
2 1/2" x 3/16" STEEL END PLATE
 FOR 12 1/8" STAIR TREADS
 Used for grating depths up to and including 1-1/4".





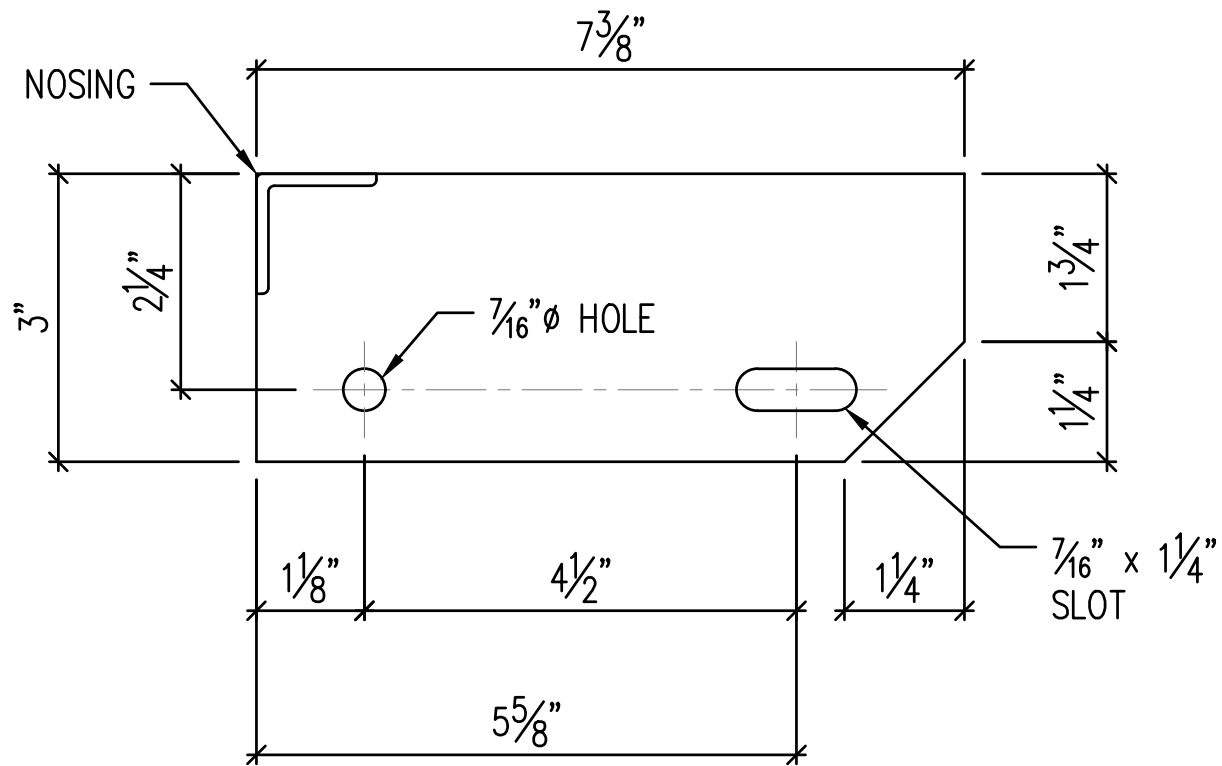
3" x $\frac{3}{16}$ " STEEL END PLATE
 FOR 5" STAIR TREADS
 Used for grating depths of 1-1/2 & 1-3/4".





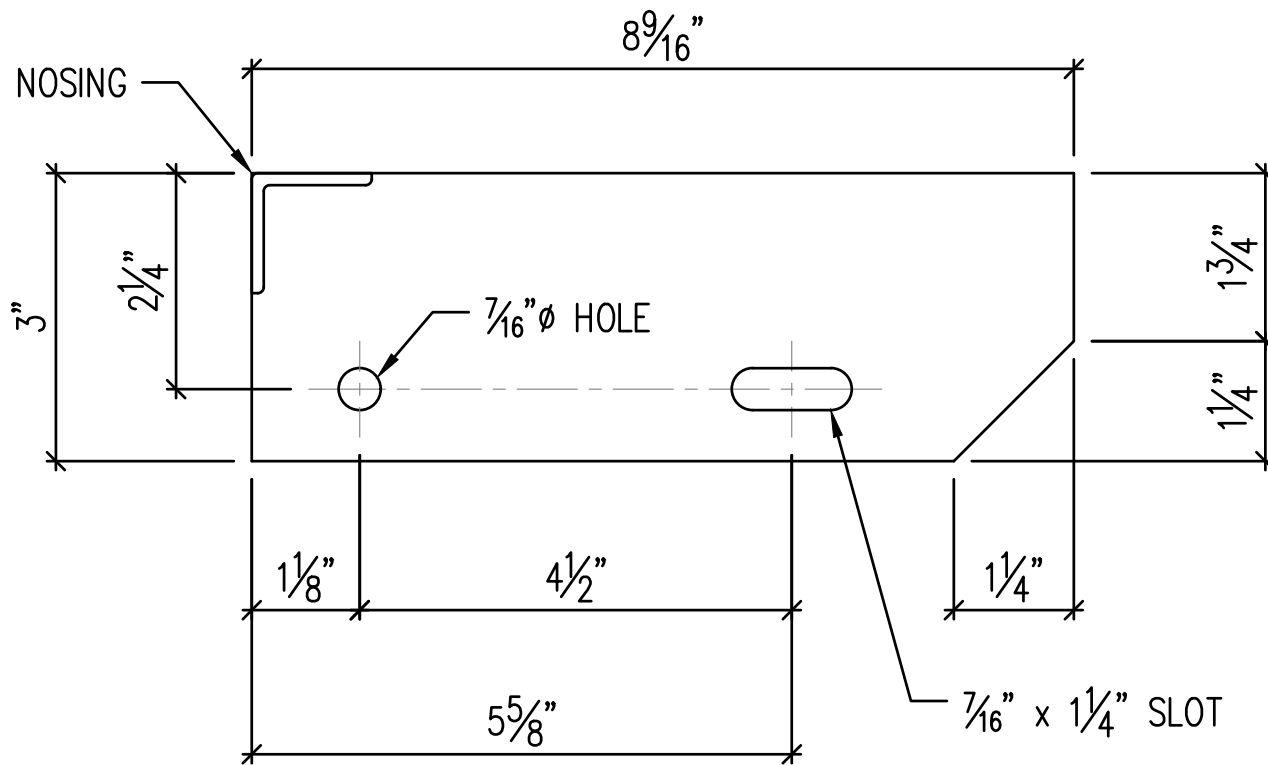
3" x 3/16" STEEL END PLATE
 FOR 6 3/16" STAIR TREADS
 Used for grating depths of 1-1/2" & 1-3/4".





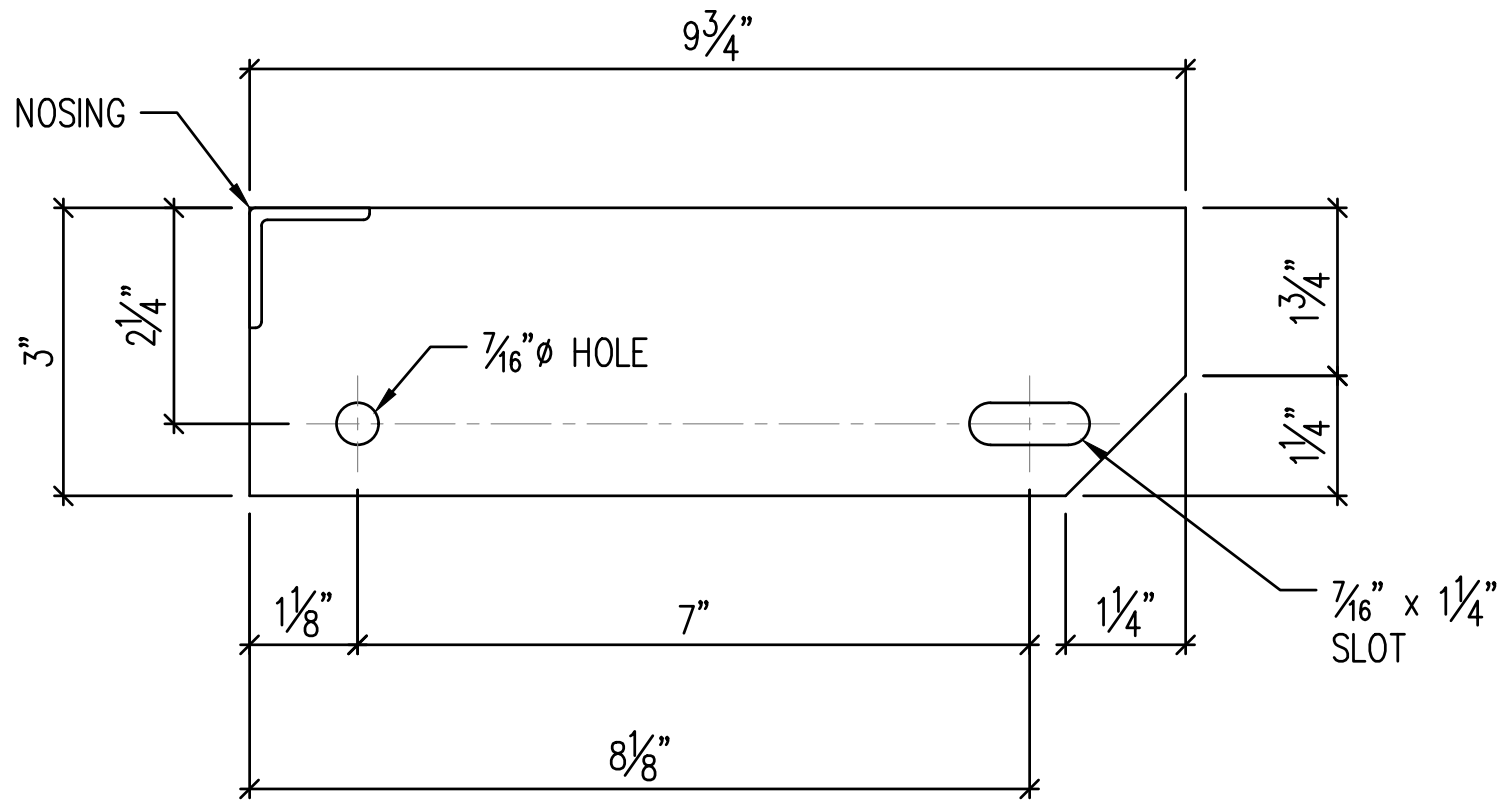
3" x $\frac{3}{16}$ " STEEL END PLATE
 FOR $7\frac{3}{8}$ " STAIR TREADS
 Used for grating depths of 1-1/2" & 1-3/4".





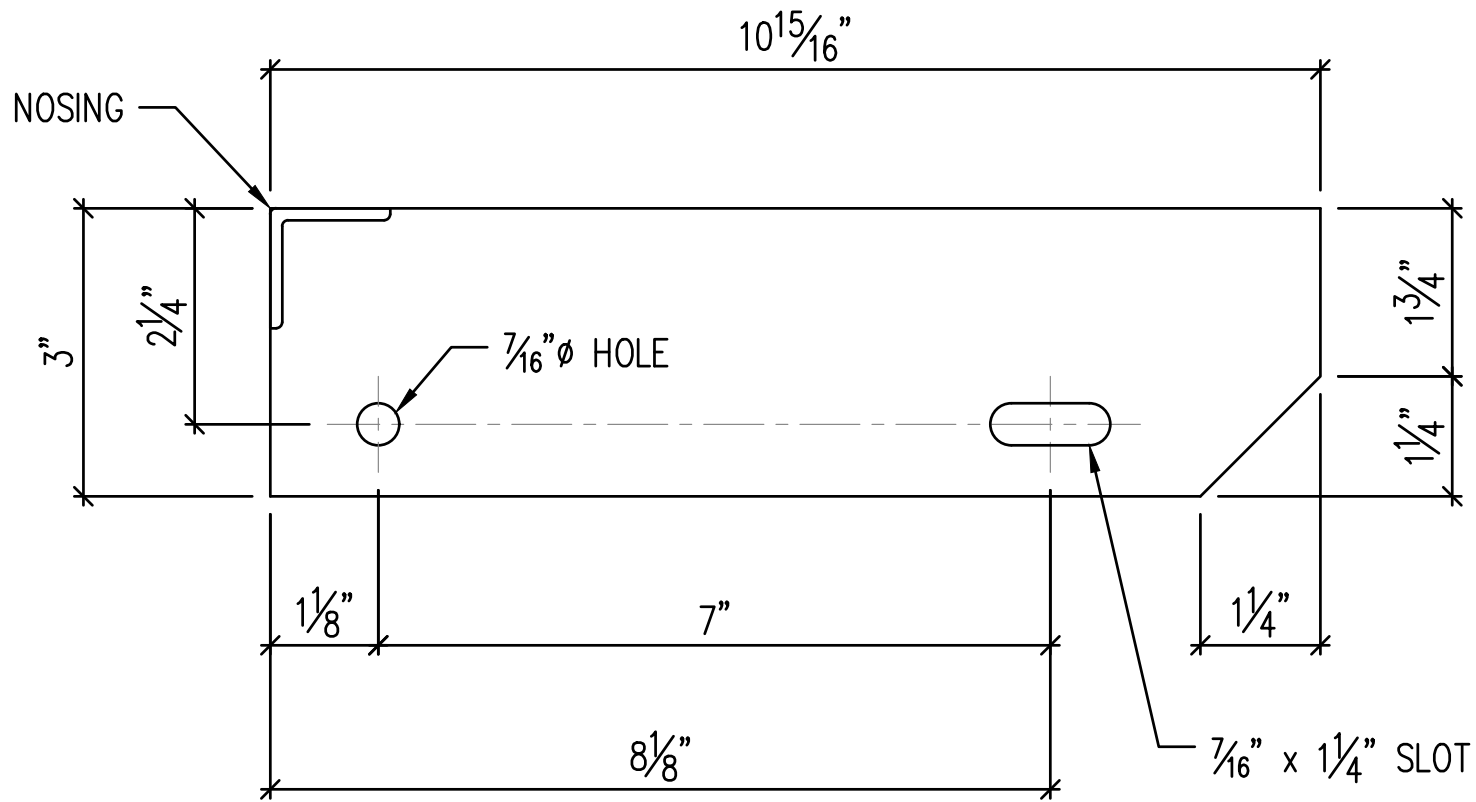
3" x $\frac{3}{16}$ " STEEL END PLATE
 FOR $8\frac{9}{16}$ " STAIR TREADS
 Used for grating depths of 1-1/2" & 1-3/4".





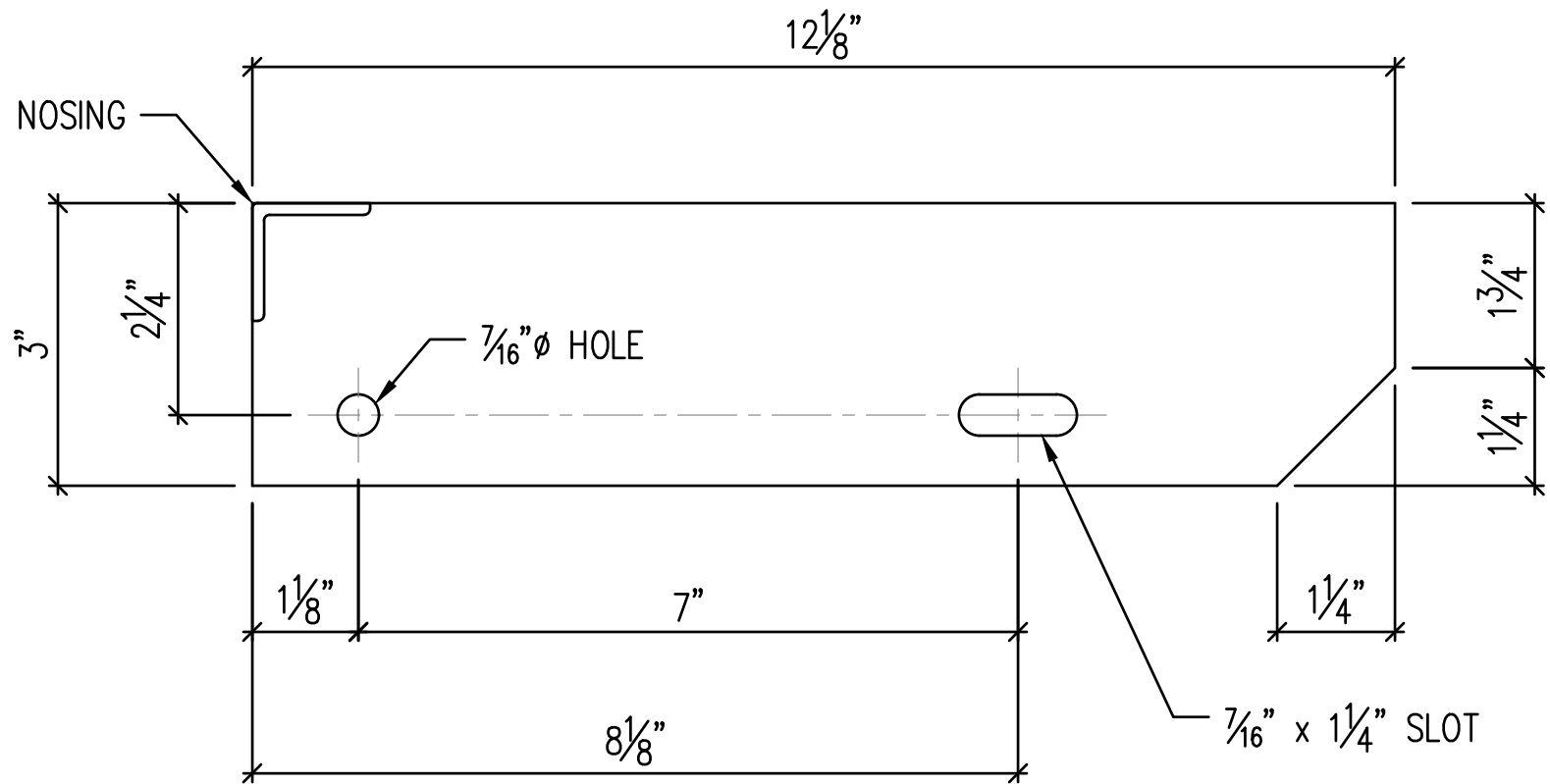
3" x $\frac{3}{16}$ " STEEL END PLATE
 FOR $9\frac{3}{4}$ " STAIR TREADS
 Used for grating depths of 1-1/2" & 1-3/4".





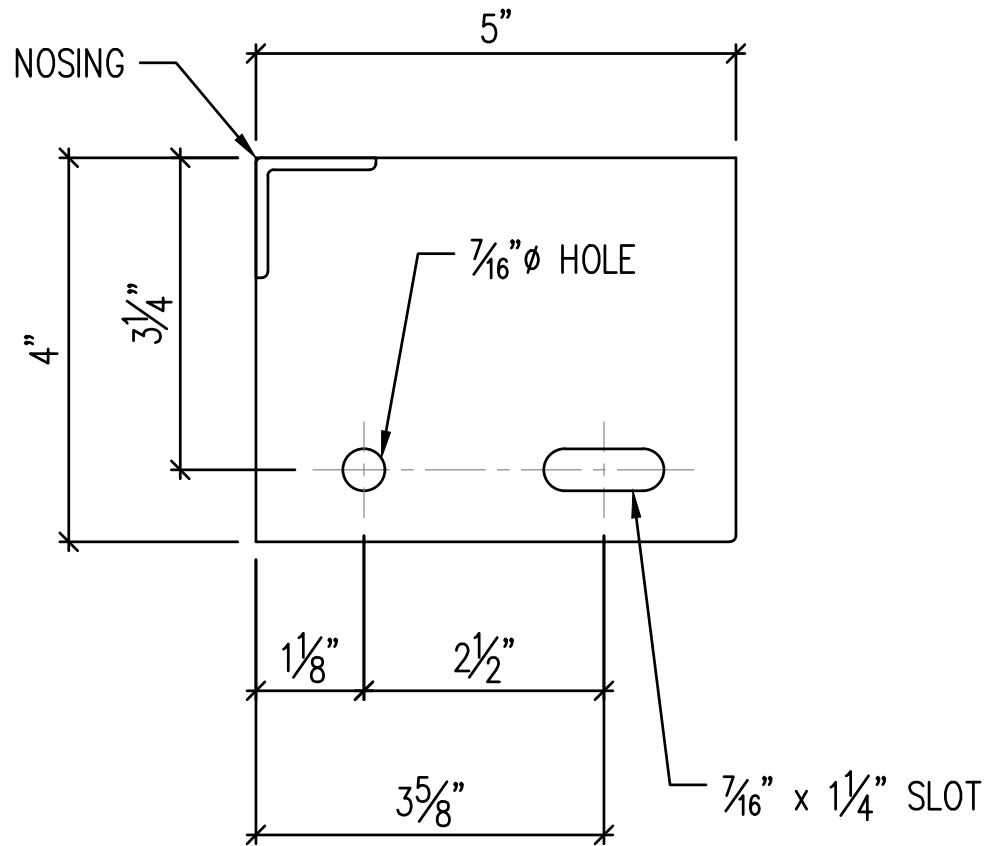
3" x 3/16" STEEL END PLATE
 FOR 10 15/16" STAIR TREADS
 Used for grating depths of 1-1/2" & 1-3/4".





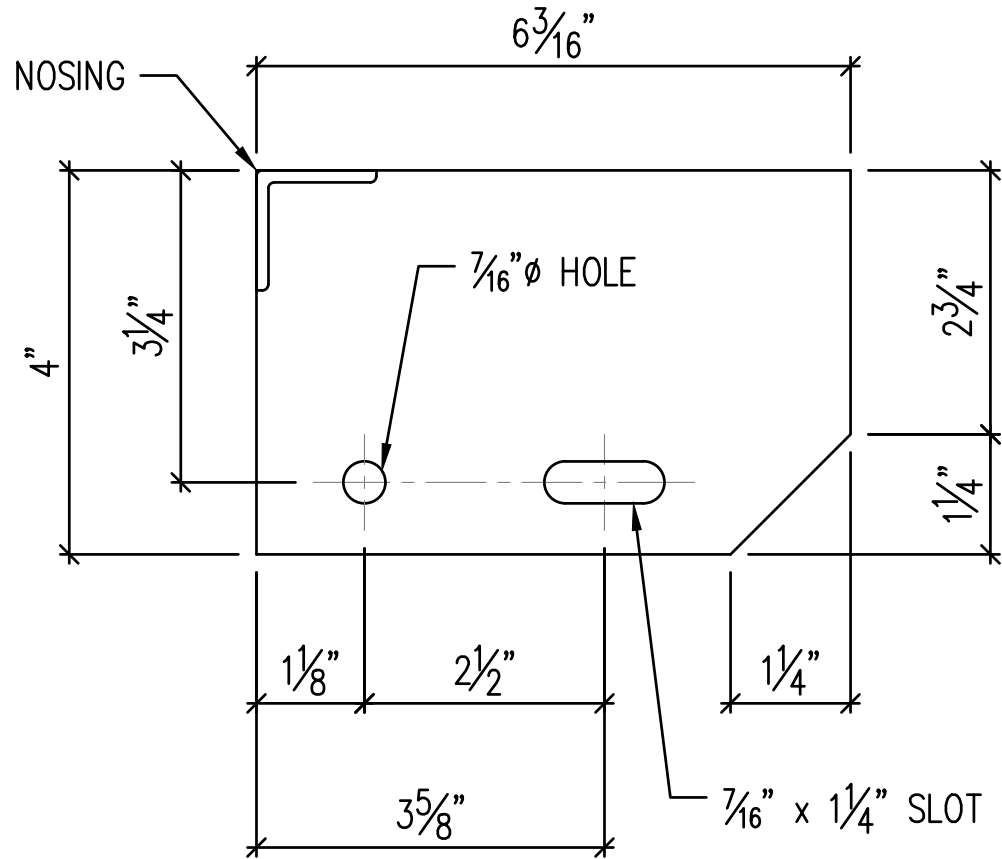
3" x 3/16" STEEL END PLATE
 FOR 12 1/8" STAIR TREADS
 Used for grating depths of 1-1/2" & 1-3/4".





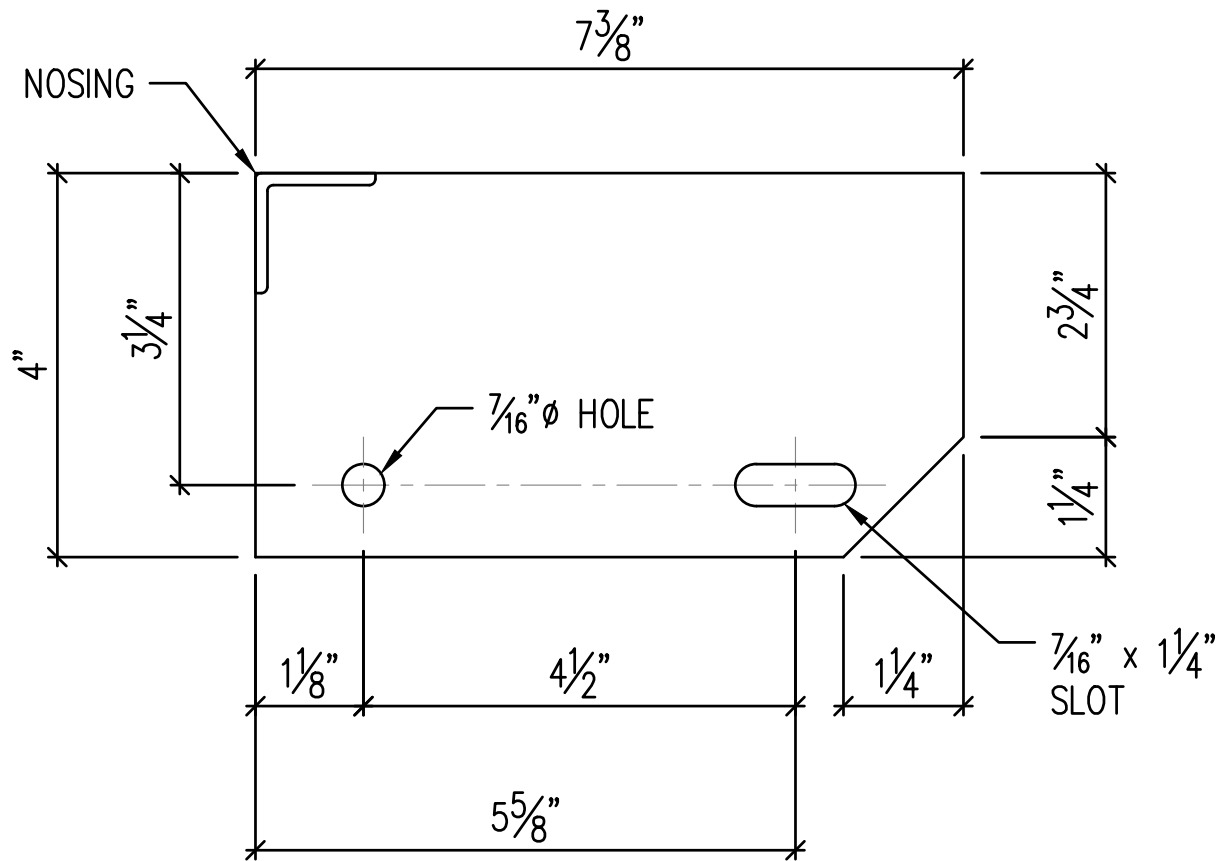
4" x 3/16" STEEL END PLATE
 FOR 5" STAIR TRENDS
 Used for grating depths of 2" to 2-1/2".





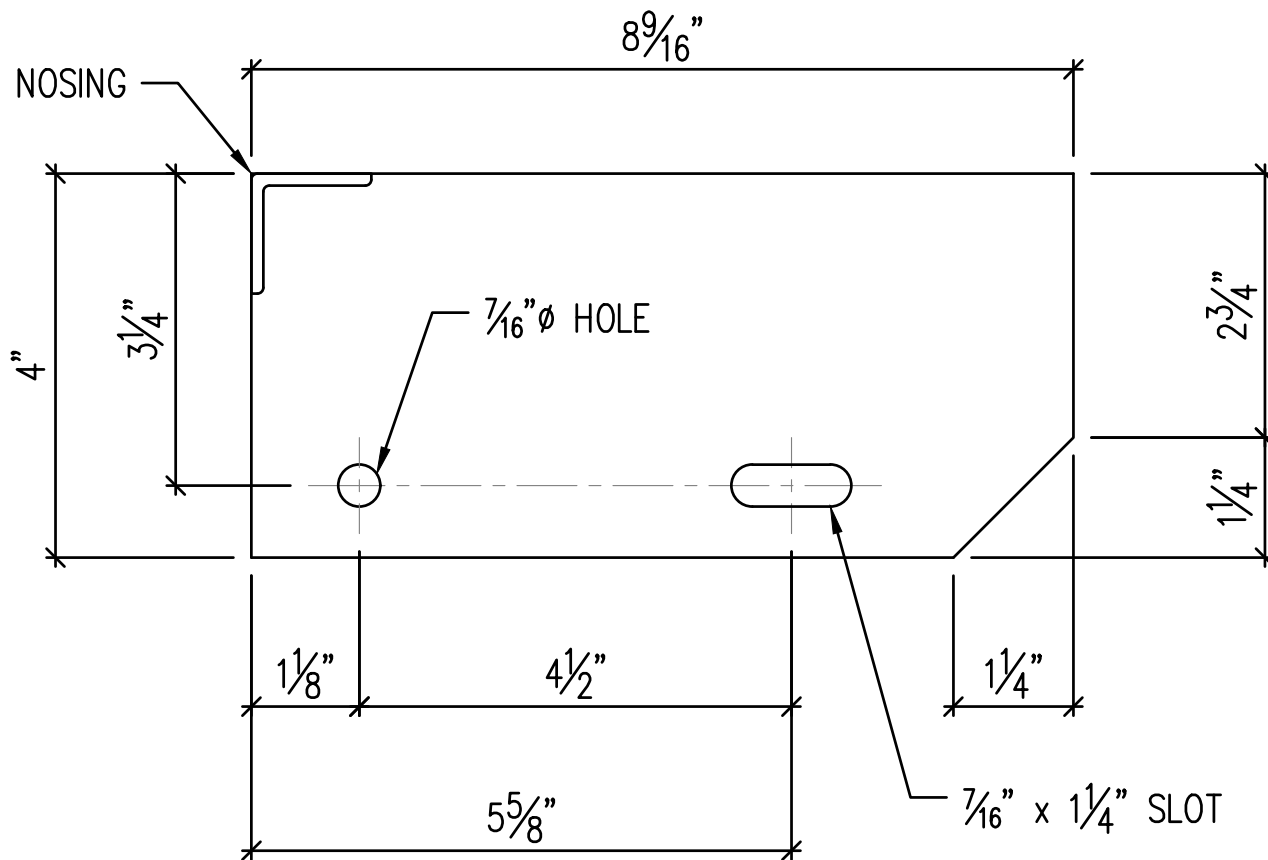
4" x $\frac{3}{16}$ " STEEL END PLATE
 FOR $6\frac{3}{16}$ " STAIR TREADS
 Used for grating depths of 2" to 2-1/2".





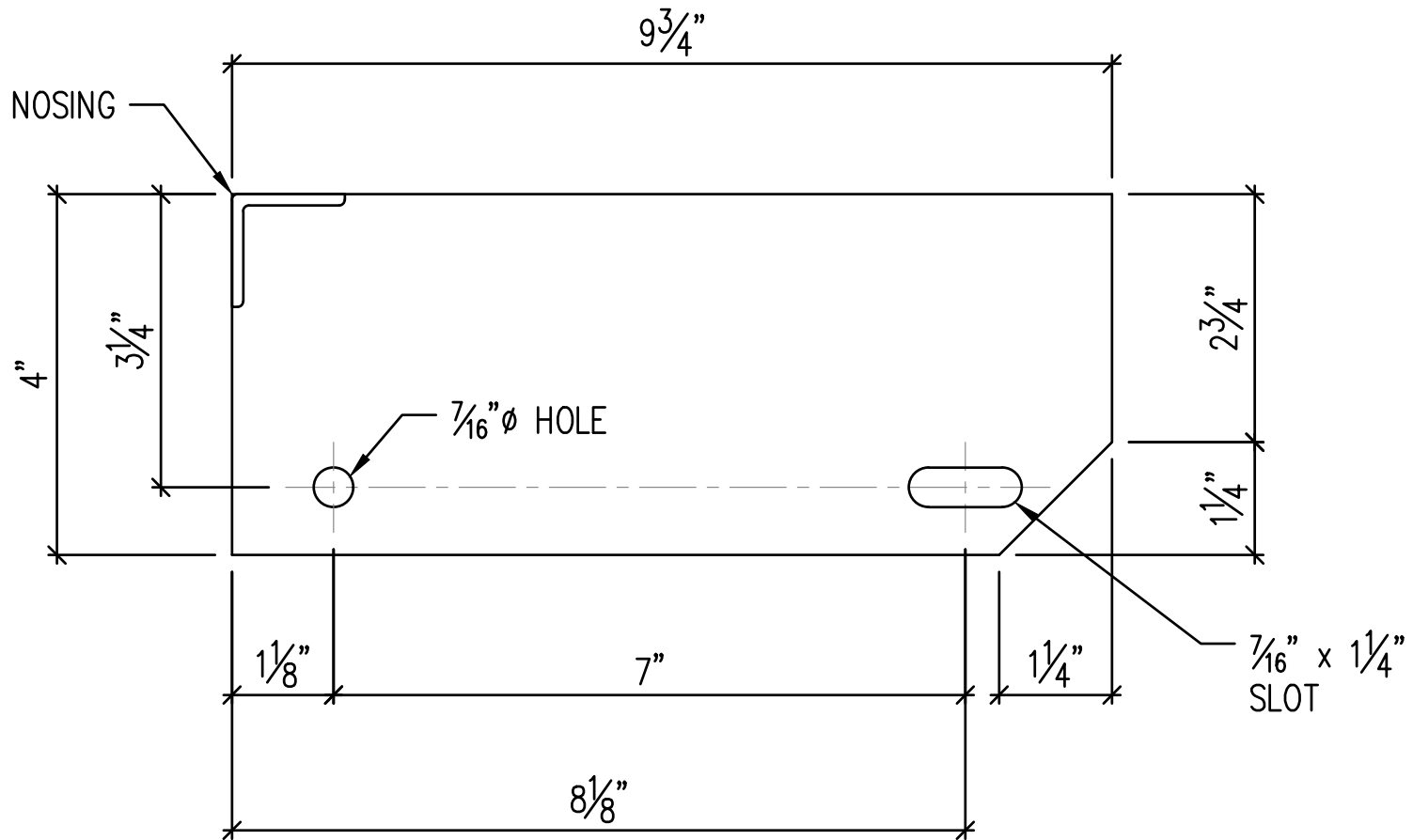
4" x 3/16" STEEL END PLATE
 FOR 7 3/8" STAIR TREADS
 Used for grating depths of 2" to 2-1/2".





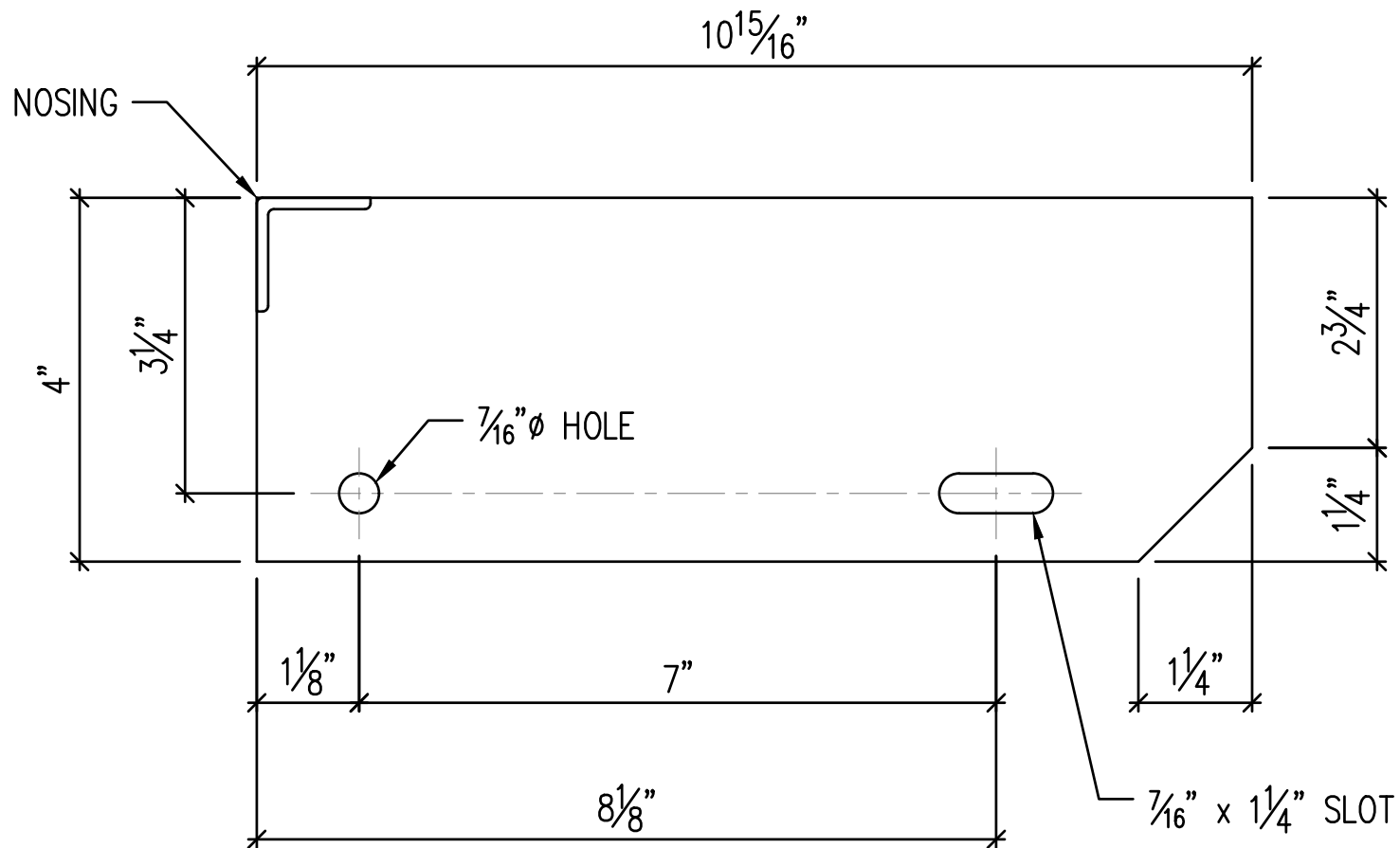
4" x $\frac{3}{16}$ " STEEL END PLATE
 FOR $8\frac{9}{16}$ " STAIR TREADS
 Used for grating depths of 2" to 2-1/2".





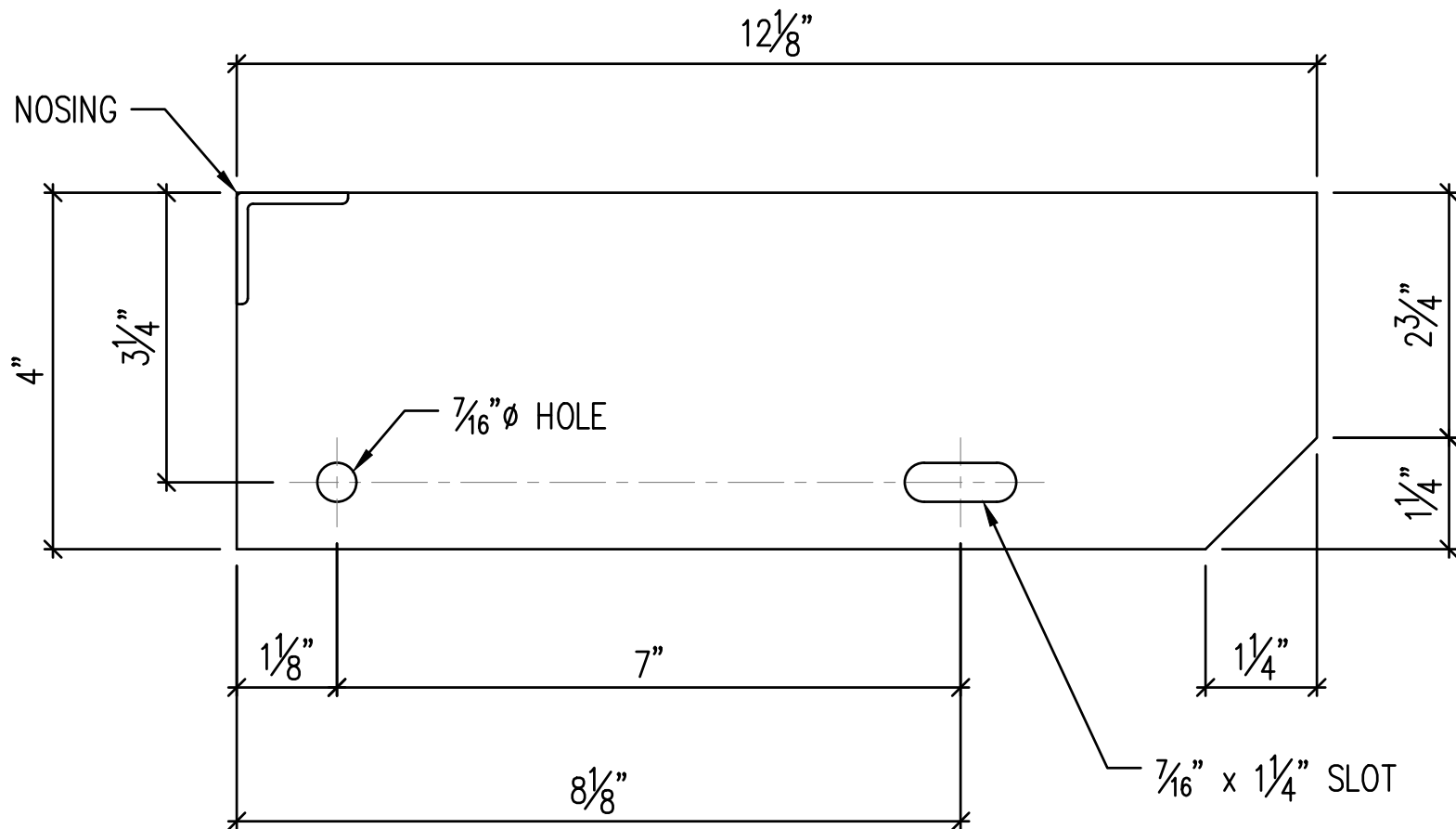
4" x 3/16" STEEL END PLATE
 FOR 9 3/4" STAIR TREADS
 Used for grating depths of 2" to 2-1/2".





4" x $\frac{3}{16}$ " STEEL END PLATE
 FOR $10\frac{15}{16}$ " STAIR TREADS
 Used for grating depths of 2" to 2-1/2".





4" x 3/16" STEEL END PLATE
 FOR 12 1/8" STAIR TREADS
 Used for grating depths of 2" to 2-1/2".

