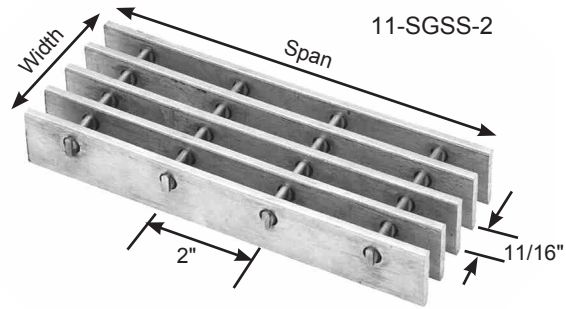
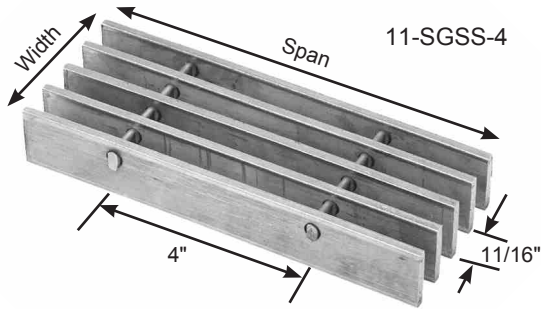


11 SPACE



Bar Size, Inches	Ped Span, Inches	Wt.* Lbs. Sq. Ft.	Sec. Prop Sx*, in ² lx*, in ⁴	ClearSpan																														
				2'- 0"	2'- 6"	3'- 0"	3'- 6"	4'- 0"	4'- 6"	5'- 0"	5'- 6"	6'- 0"	6'- 6"	7'- 0"	8'- 0"																			
3/4 x 3/16	52	9.32	0.307	U	1023	655	455	334	256	202	U - Safe uniform load in pounds/ sq.ft. C - Safe concentrated load in pounds/ ft. grating width D - Deflection in inches																							
				D	0.114	0.179	0.257	0.350	0.458	0.578																								
			0.115	C	1023	818	682	584	511	455																								
				D	0.091	0.143	0.206	0.280	0.365	0.463																								
1 x 3/16	65	11.99	0.545	U	1818	1164	808	594	455	359							291	240	<table border="1"> <thead> <tr> <th colspan="3">% Open Area*</th> </tr> <tr> <th>Bars</th> <th>1/8"</th> <th>3/16"</th> </tr> </thead> <tbody> <tr> <td>4" cc</td> <td>N/A</td> <td>67%</td> </tr> <tr> <td>2" cc</td> <td>N/A</td> <td>62%</td> </tr> </tbody> </table>				% Open Area*			Bars	1/8"	3/16"	4" cc	N/A	67%	2" cc	N/A	62%
				% Open Area*																														
			Bars	1/8"	3/16"																													
			4" cc	N/A	67%																													
2" cc	N/A	62%																																
D	0.086	0.134	0.193	0.263	0.343	0.434	0.536	0.647																										
0.273	C	1818	1455	1212	1039	909	808	727	661																									
	D	0.069	0.107	0.154	0.210	0.274	0.347	0.428	0.518																									
1-1/4 x 3/16	77	14.83	0.852	U	2841	1818	1263	928	710	561	455	376	316	269	Loads and deflections are theoretical and are based on a unit stress of 20,000 psi.																			
				D	0.069	0.107	0.154	0.210	0.274	0.347	0.429	0.519	0.618	0.724																				
			0.533	C	2841	2273	1894	1623	1420	1263	1136	1033	947	874																				
				D	0.055	0.086	0.123	0.168	0.219	0.278	0.343	0.415	0.494	0.579																				
1-1/2 x 3/16	88	17.68	1.227	U	4091	2618	1818	1336	1023	808	655	541	455	387			334	256																
				D	0.057	0.089	0.129	0.175	0.229	0.289	0.357	0.432	0.515	0.603			0.700	0.915																
			0.920	C	4091	3273	2727	2338	2046	1818	1636	1488	1364	1259			1169	1023																
				D	0.046	0.071	0.103	0.140	0.183	0.231	0.286	0.346	0.412	0.483			0.560	0.732																
1-3/4 x 3/16	99	19.79	1.670	U	5568	3564	2475	1818	1392	1100	891	736	619	527			455	348																
				D	0.049	0.077	0.110	0.150	0.196	0.248	0.306	0.370	0.441	0.517			0.601	0.784																
			1.462	C	5568	4455	3712	3182	2784	2475	2227	2025	1856	1713			1591	1392																
				D	0.039	0.061	0.088	0.120	0.157	0.198	0.245	0.296	0.353	0.414			0.480	0.627																
2 x 3/16	109	23.37	2.182	U	7273	4655	3232	2375	1818	1437	1164	962	808	689	594	455																		
				D	0.043	0.067	0.096	0.131	0.171	0.217	0.268	0.324	0.386	0.453	0.525	0.686																		
			2.182	C	7273	5818	4849	4156	3636	3232	2909	2645	2424	2238	2078	1818																		
				D	0.034	0.054	0.077	0.105	0.137	0.174	0.214	0.259	0.309	0.362	0.420	0.549																		
2-1/4 x 3/16	119	26.34	2.761	U	9205	5891	4091	3006	2301	1818	1473	1217	1023	871	751	575																		
				D	0.038	0.060	0.086	0.117	0.152	0.193	0.238	0.288	0.343	0.402	0.466	0.609																		
			3.107	C	9205	7364	6137	5260	4602	4091	3682	3347	3068	2832	2630	2301																		
				D	0.030	0.048	0.069	0.093	0.122	0.154	0.190	0.230	0.274	0.322	0.373	0.488																		
2-1/2 x 3/16	129	29.08	3.409	U	11364	7273	5051	3711	2841	2245	1818	1503	1263	1076	928	710																		
				D	0.034	0.054	0.077	0.105	0.137	0.174	0.214	0.259	0.309	0.362	0.420	0.548																		
			4.261	C	11364	9091	7576	6494	5682	5051	4546	4132	3788	3497	3247	2841																		
				D	0.027	0.043	0.062	0.084	0.110	0.139	0.171	0.207	0.247	0.290	0.336	0.439																		

*Based on 17.455 bars/ft. of grating width. Bearing bars 11/16" c.c. Add .6 lbs./sq. ft. for 11-SGSS-2. 1/8" bearing bars available by inquiry. **Note:** Grating for spans to the left of the heavy line have a deflection less than 1/4" for uniform loads of 100 lbs./sq. ft. This is the maximum deflection to afford pedestrian comfort and can be exceeded for other types of load at the discretion of the engineer. The actual Ped (pedestrian) Span under this condition is shown above for each size of grating. When serrated grating is specified, the depth of grating required for a specific load will be 1/4" greater than that shown in these tables. 3/4" x 3/16" serrated grating is not available.

Panel Width Chart (in.) - 11-SGSS-4 & 11-SGSS-2 Dimensions Are Out-to-Out of Bearing Bars**

No. of Bars	2	3	4	5	6	7	8	9	10	11	12	13	14	15	16
3/16" Bars	7/8	1-9/16	2-1/4	2-15/16	3-5/8	4-5/16	5	5-11/16	6-3/8	7-1/16	7-3/4	8-7/16	9-1/8	9-13/16	10-1/2
No. of Bars	17	18	19	20	21	22	23	24	25	26	27	28	29	30	31
3/16" Bars	11-3/16	11-7/8	12-9/16	13-1/4	13-15/16	14-5/8	15-5/16	16	16-11/16	17-3/8	18-1/16	18-3/4	19-7/16	20-1/8	20-13/16
No. of Bars	32	33	34	35	36	37	38	39	40	41	42	43	44	45	46
3/16" Bars	21-1/2	22-3/16	22-7/8	23-9/16	24-1/4	24-15/16	25-5/8	26-5/16	27	27-11/16	28-3/8	29-1/16	29-3/4	30-7/16	31-1/8
No. of Bars	47	48	49	50	51	52	53								
3/16" Bars	31-13/16	32-1/2	33-3/16	33-7/8	34-9/16	35-1/4	35-15/16								

**Add 1/4" for extended cross bars. Deduct 1/16" for 1/8" bearing bars. Standard panel widths indicated in red.