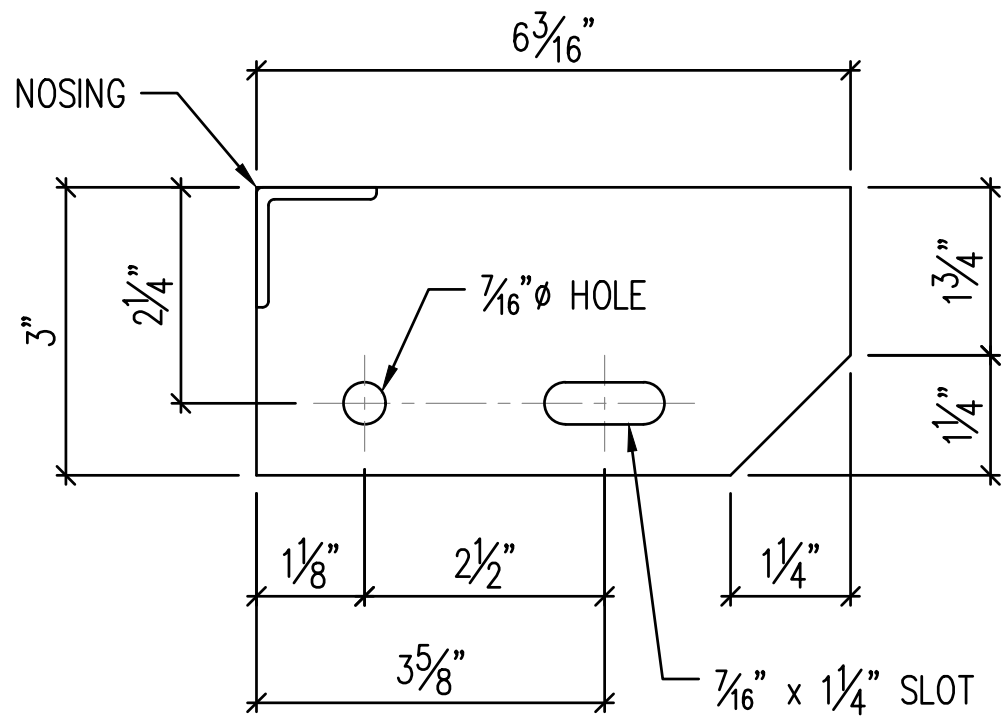


3" x $\frac{3}{16}$ " ALUMINUM END PLATE
FOR 5" STAIR TREADS

Used for grating depths up to and including 1-3/4".

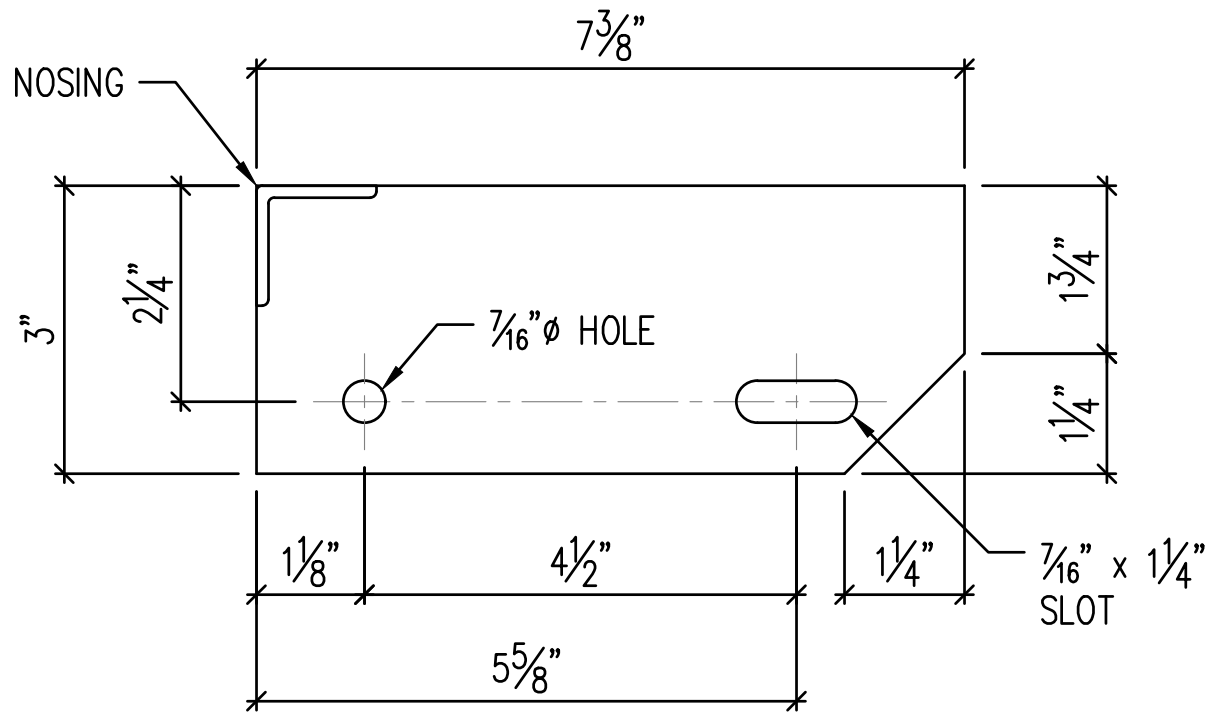




3" x 3/16" ALUMINUM END PLATE
FOR 6 3/16" STAIR TREADS

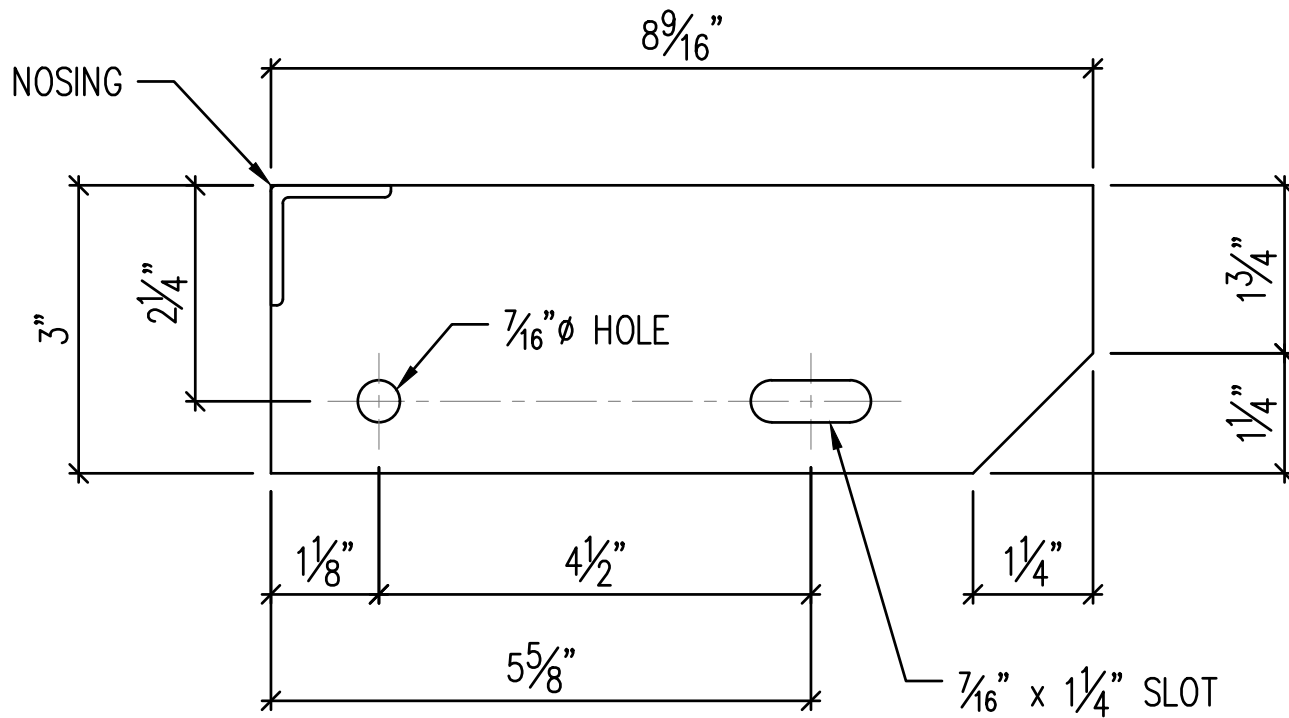
Used for grating depths up to and including 1-3/4".





3" x $\frac{3}{16}$ " ALUMINUM END PLATE
 FOR $7\frac{3}{8}$ " STAIR TREADS
 Used for grating depths up to and including 1-3/4".

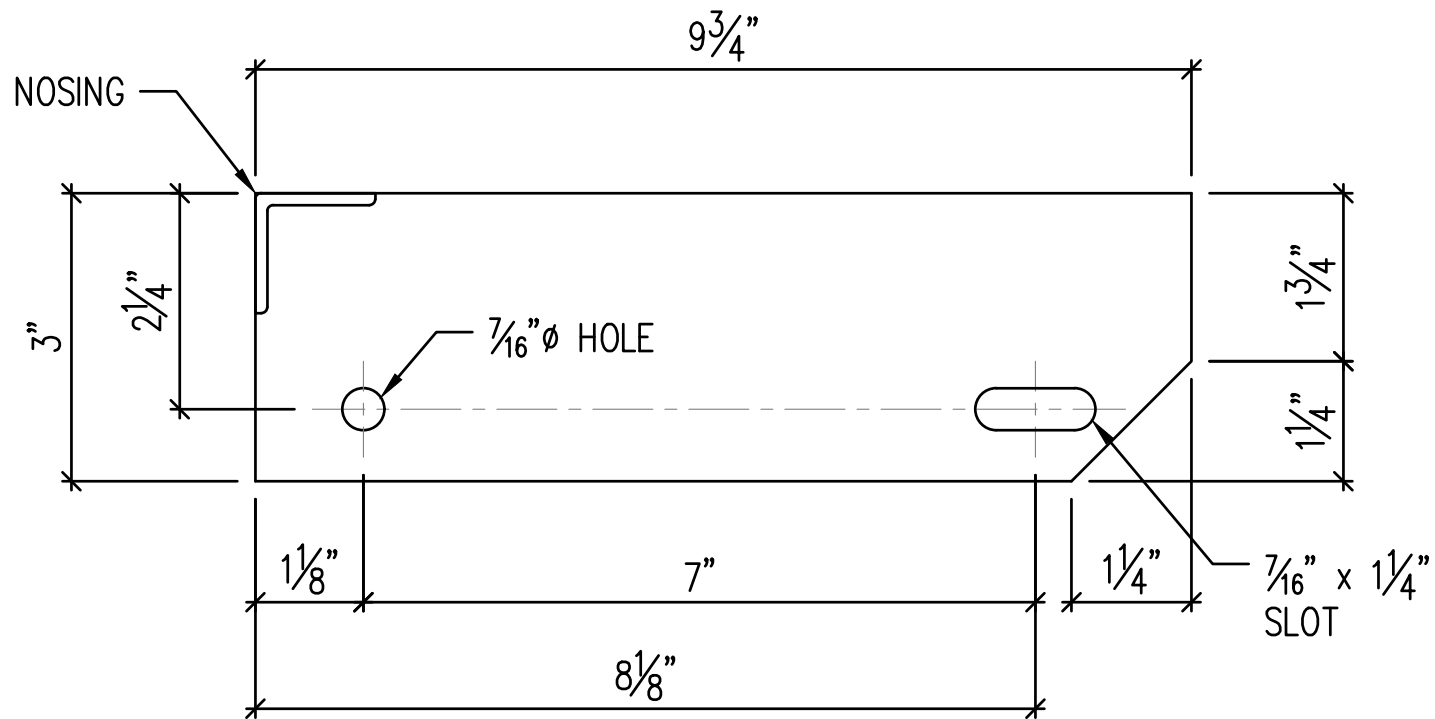




3" x 3/16" ALUMINUM END PLATE
FOR 8 9/16" STAIR TREADS

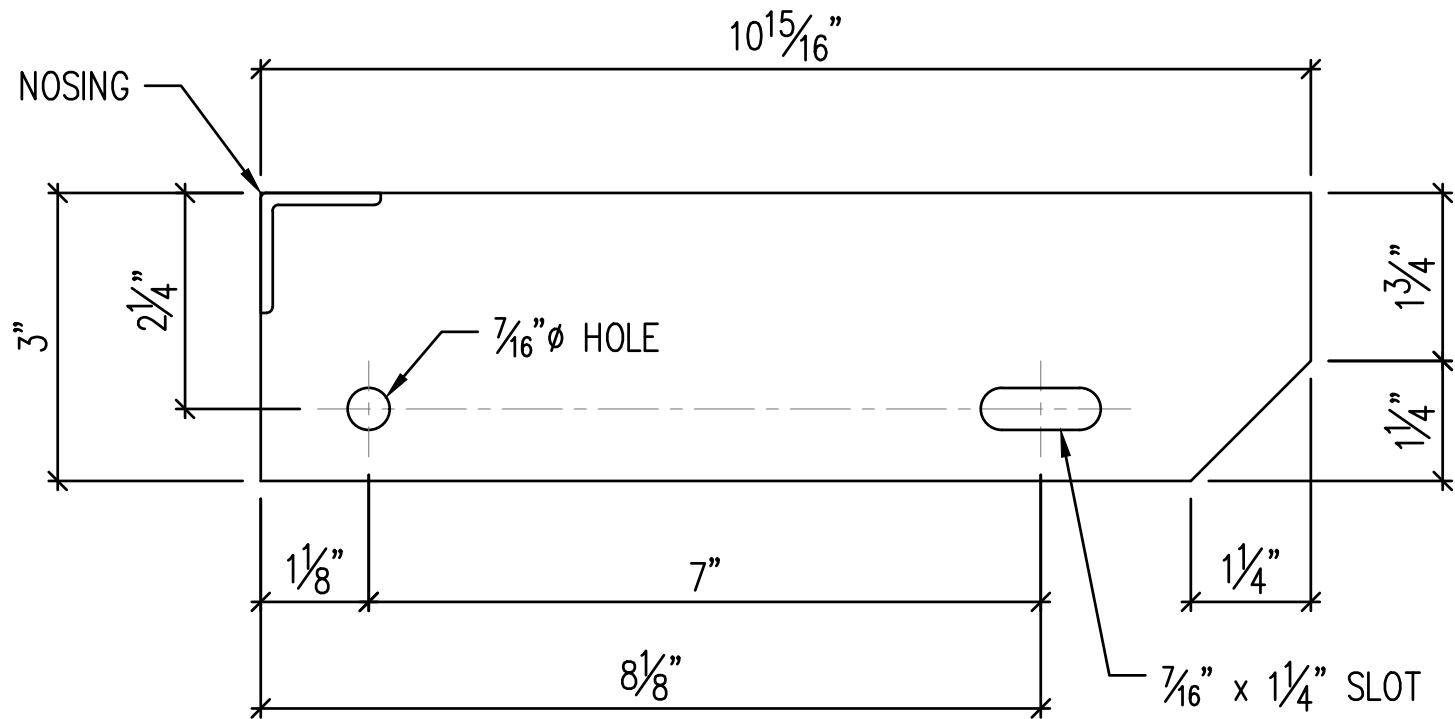
Used for grating depths up to and including 1-3/4".





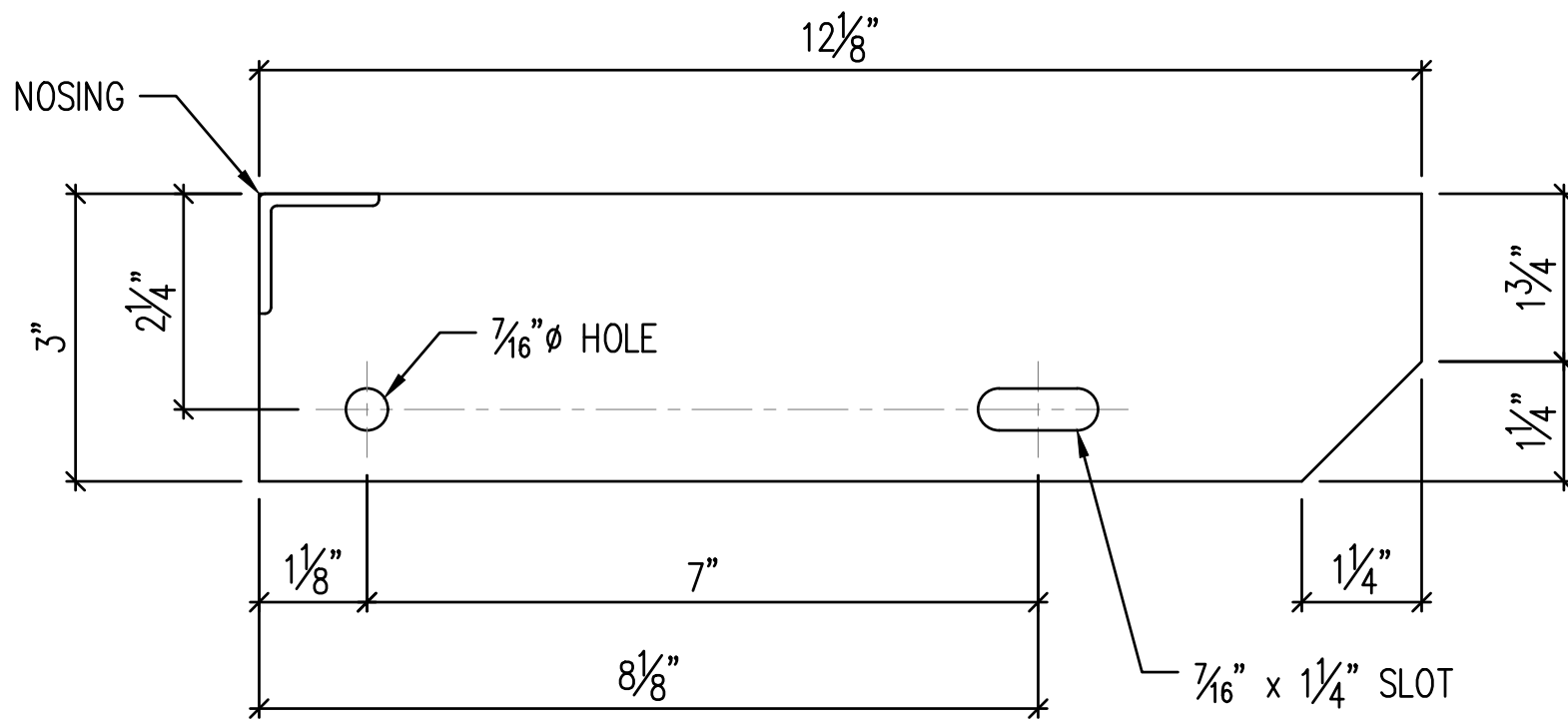
3" x 3/16" ALUMINUM END PLATE
 FOR 9 3/4" STAIR TREADS
 Used for grating depths up to and including 1-3/4".





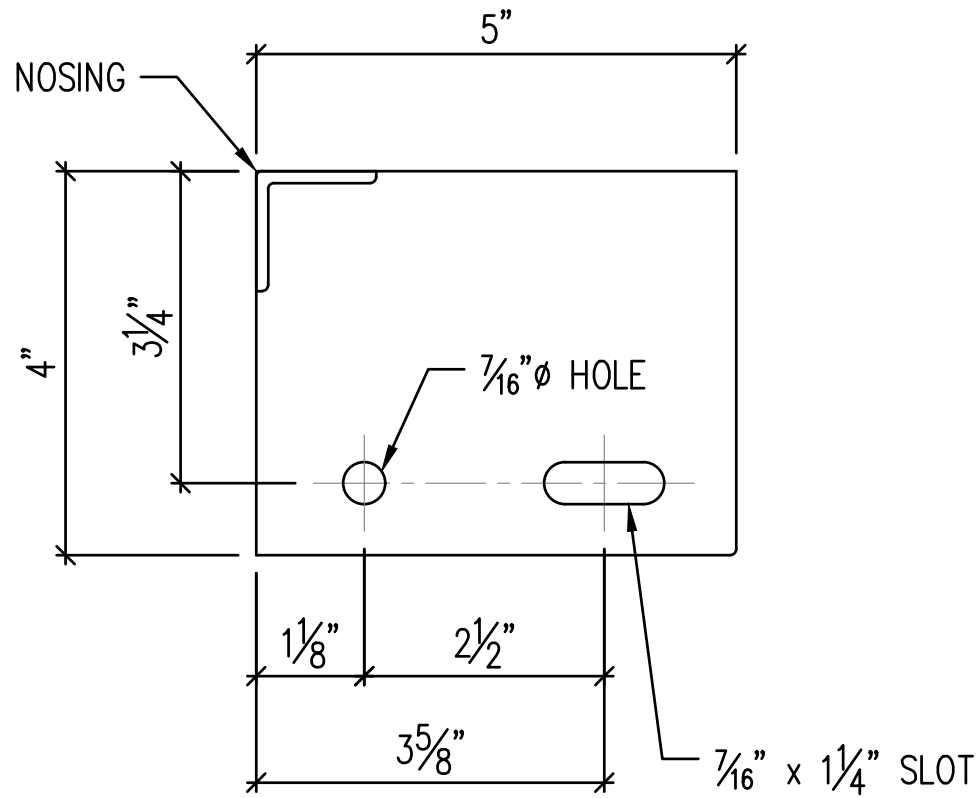
3" x $\frac{3}{16}$ " ALUMINUM END PLATE
 FOR $10\frac{15}{16}$ " STAIR TREADS
 Used for grating depths up to and including 1-3/4".





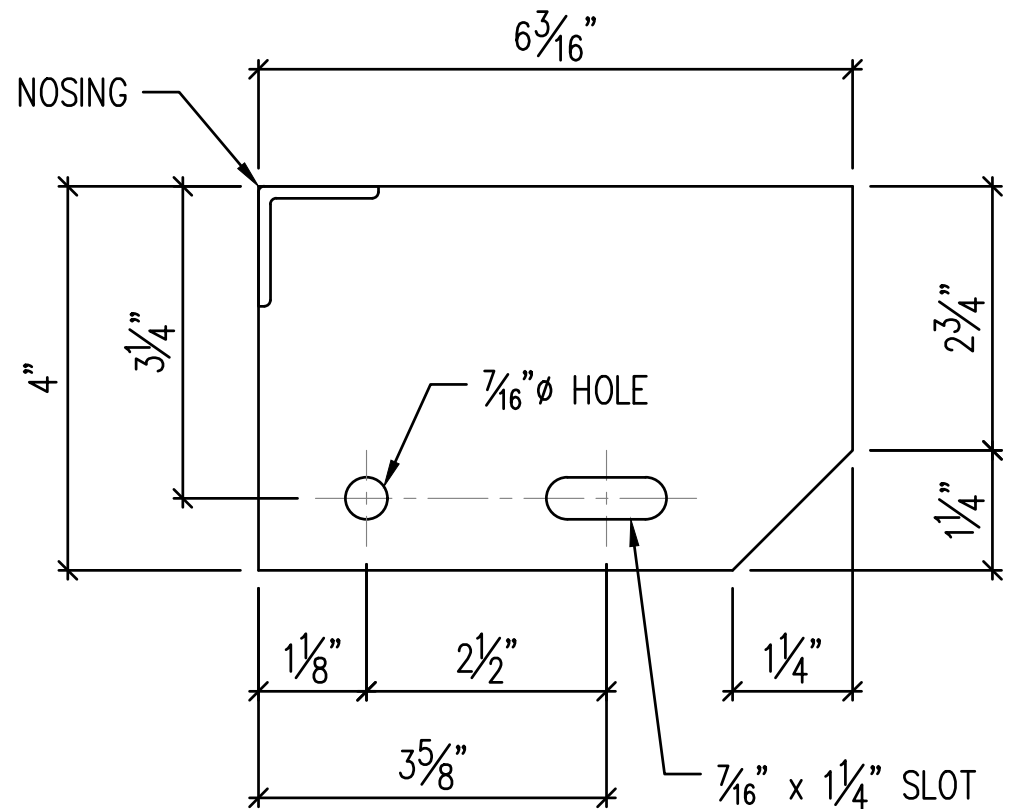
3" x 3/16" ALUMINUM END PLATE
 FOR 12 1/8" STAIR TREADS
 Used for grating depths up to and including 1-3/4".





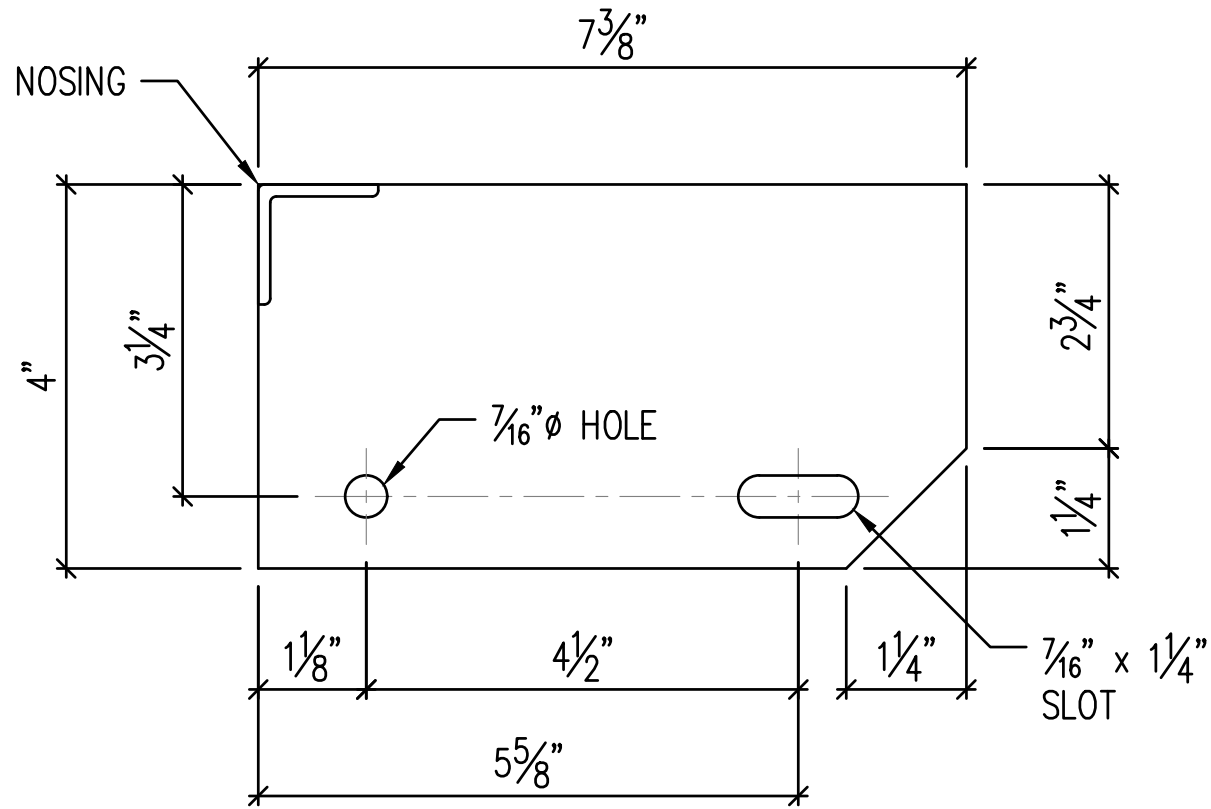
4" x $\frac{3}{16}$ " ALUMINUM END PLATE
 FOR 5" STAIR TREADS
 Used for grating depths of 2" to 2-1/2".





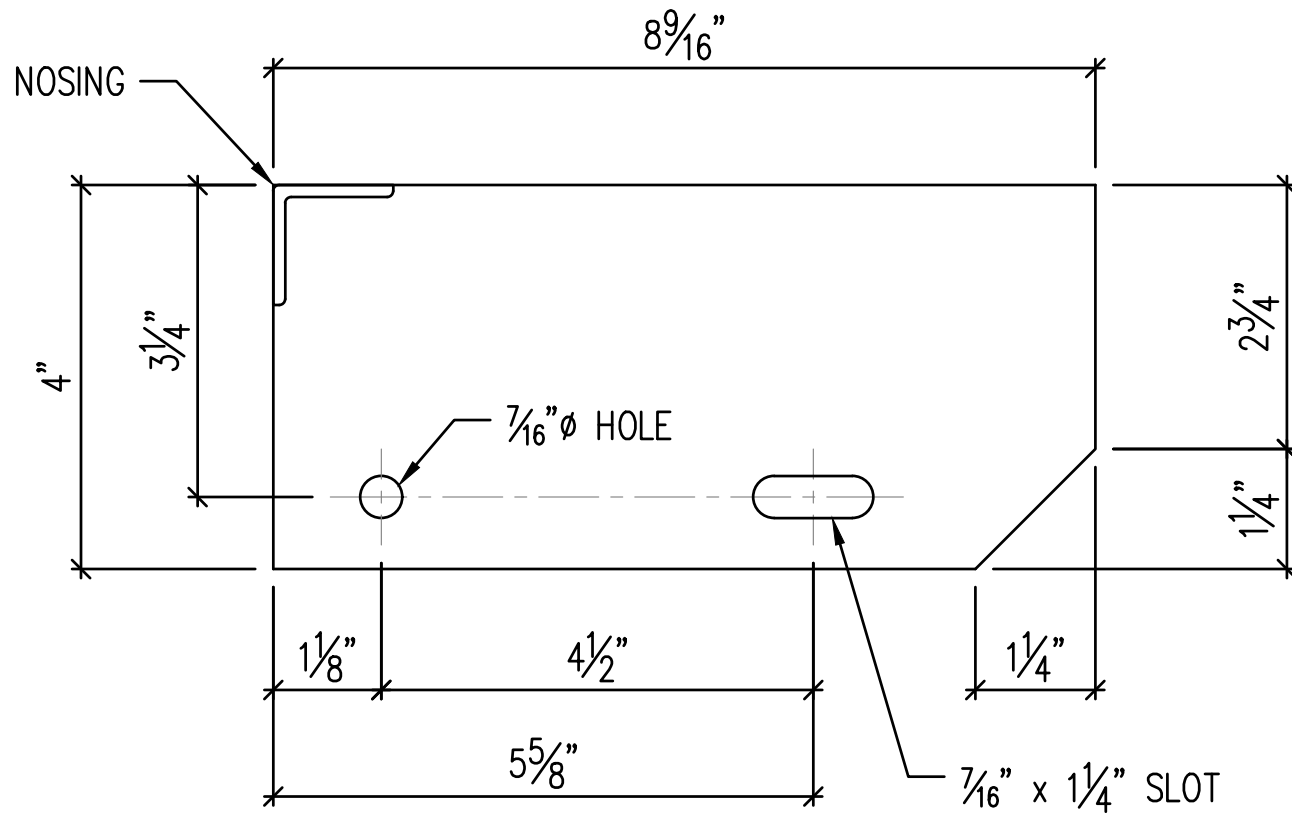
4" x 3/16" ALUMINUM END PLATE
 FOR 6 3/16" STAIR TREADS
 Used for grating depths of 2" to 2-1/2".





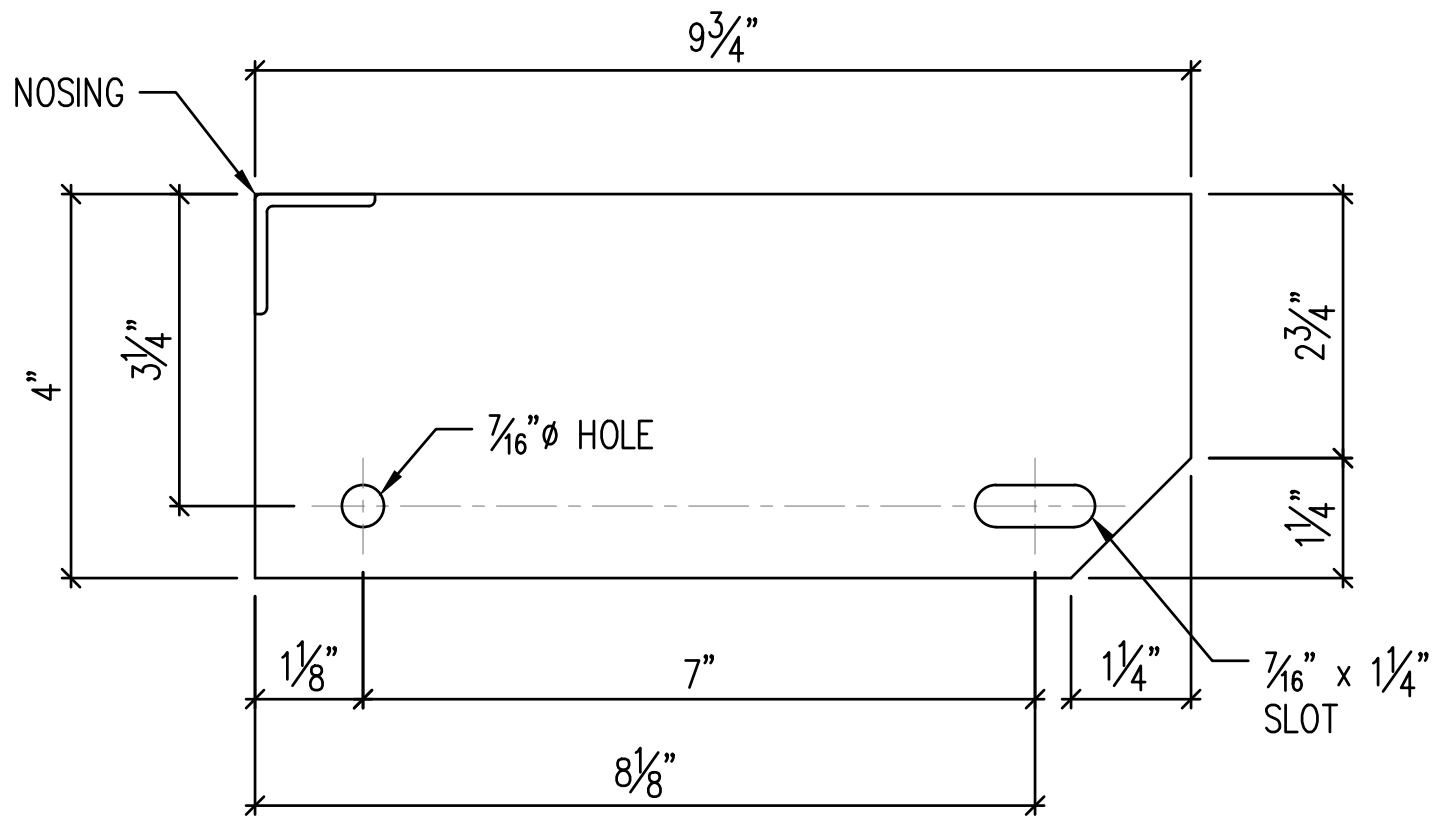
4" x 3/16" ALUMINUM END PLATE
 FOR 7 3/8" STAIR TREADS
 Used for grating depths of 2" to 2-1/2".





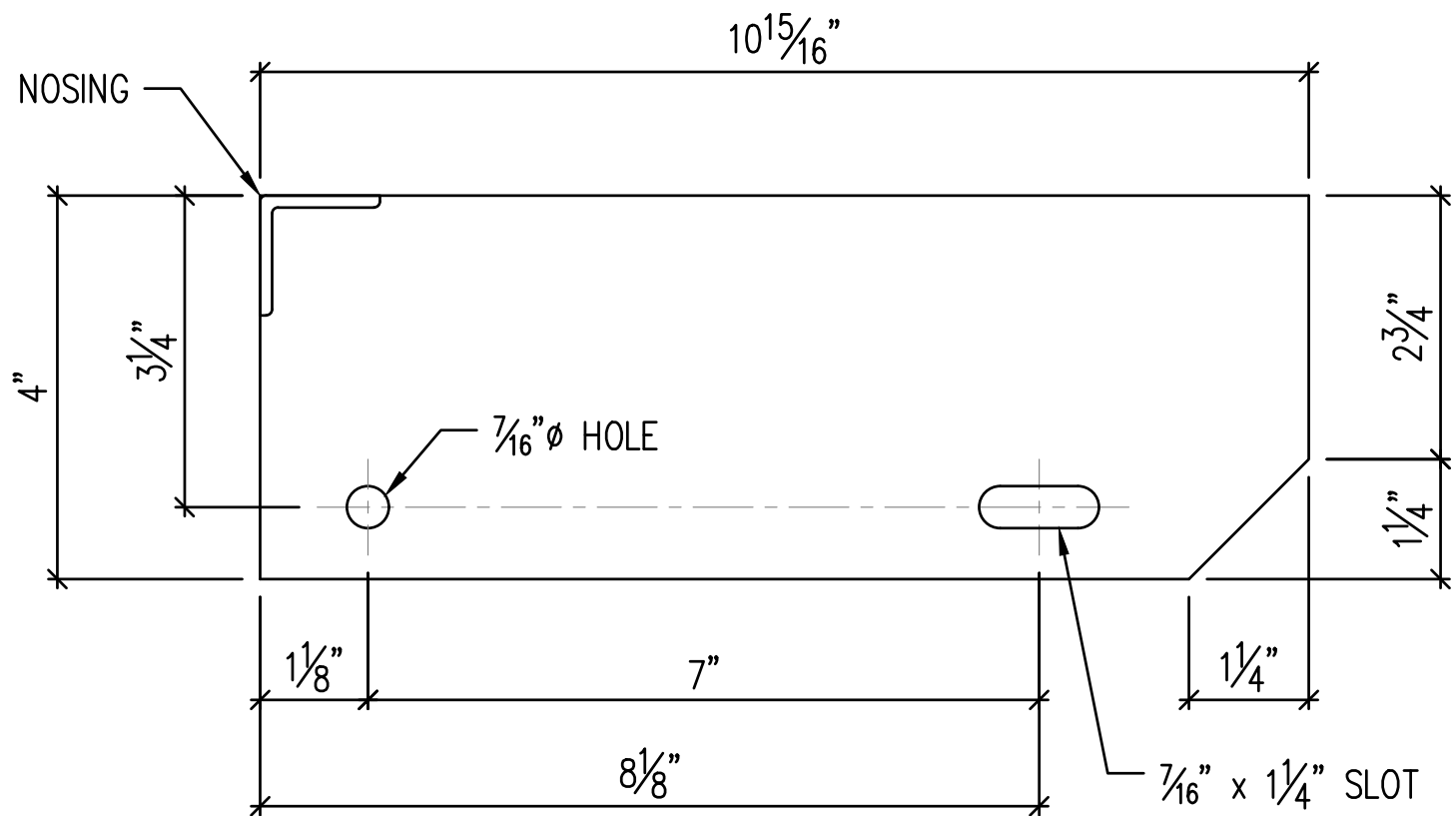
4" x $\frac{3}{16}$ " ALUMINUM END PLATE
 FOR $8\frac{9}{16}$ " STAIR TREADS
 Used for grating depths of 2" to 2-1/2".





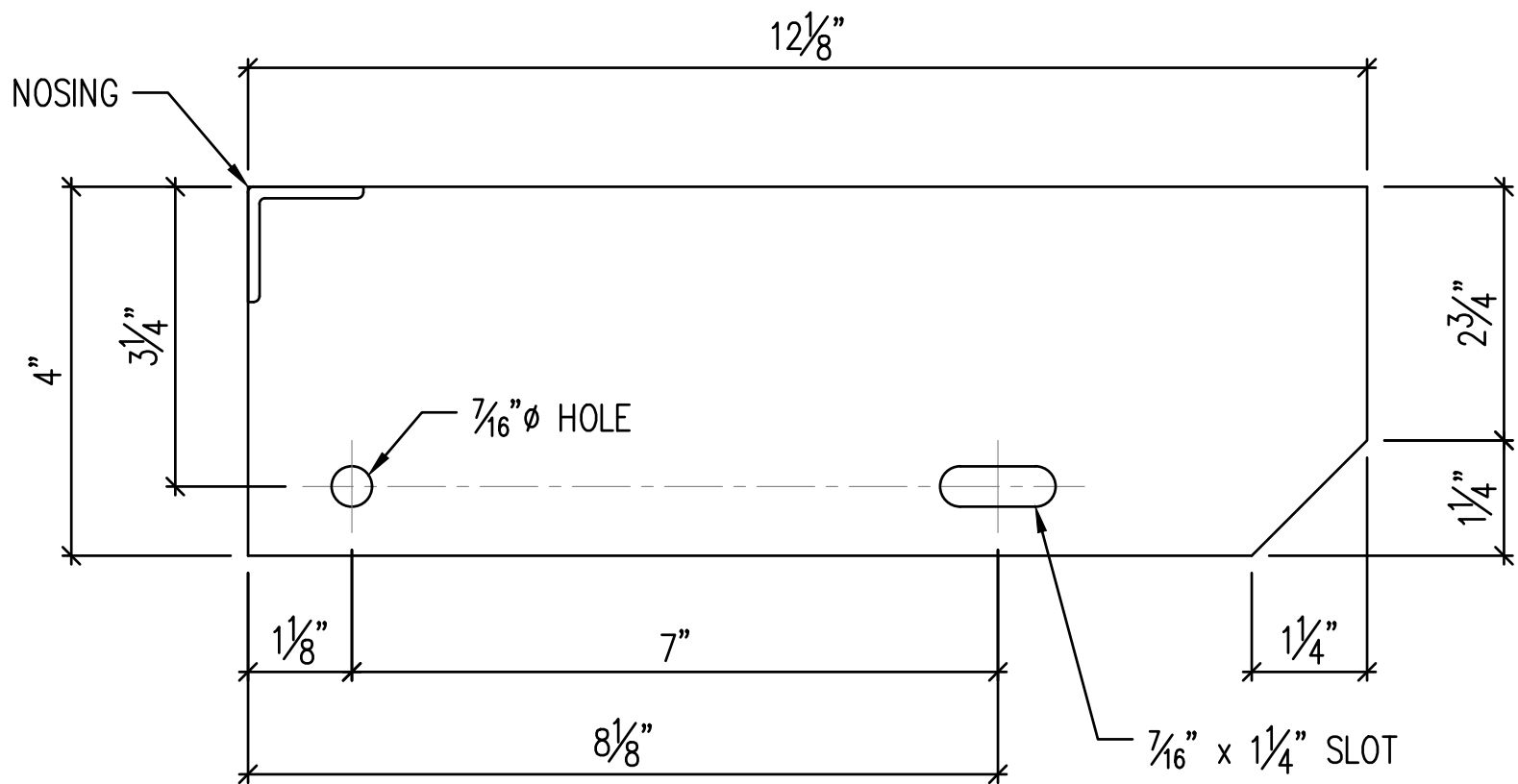
4" x 3/16" ALUMINUM END PLATE
 FOR 9 3/4" STAIR TREADS
 Used for grating depths of 2" to 2-1/2".





4" x 3/16" ALUMINUM END PLATE
 FOR 10 15/16" STAIR TREADS
 Used for grating depths of 2" to 2-1/2".





4" x 3/16" ALUMINUM END PLATE
 FOR 12 1/8" STAIR TREADS
 Used for grating depths of 2" to 2-1/2".

