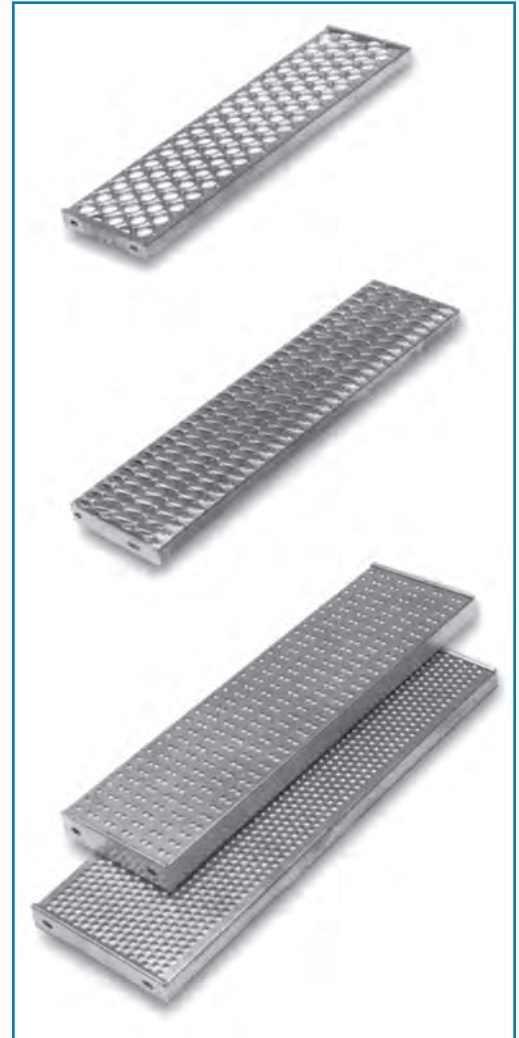


STAIR TREADS

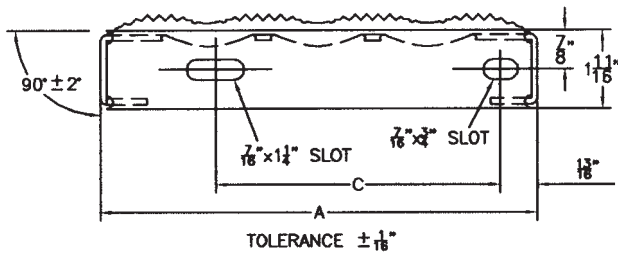
PRODUCT DESCRIPTION

Stair treads are fabricated from standard Safety-Grip®, Diamond-Grip® and Safety-Tread® channel planks (see product specification sheets for technical details). All treads are complete with end plates welded to each end for easy connection to stringers or are available with open ends.

Treads are available from stock in sizes indicated below or can be custom fabricated from any channel product and in any material including G90 galvanized, HRP&O, aluminum and stainless steel.



Diamond-Grip® Treads



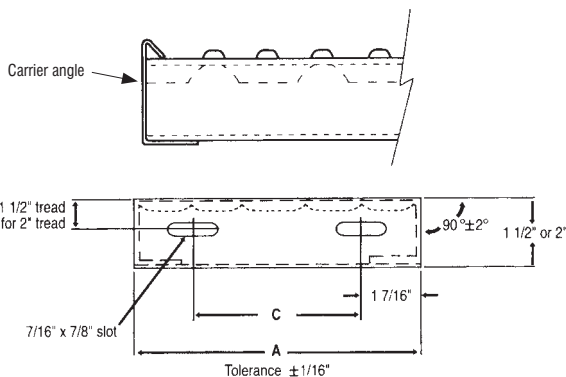
"A" TREAD DEPTH (CHANNEL WIDTH)	CARRIER PLATE WIDTH	DIMENSION "C"
4 3/4"	4 1/2"	2 1/8"
7"	6 3/4"	3 1/2"
9 1/2"	9 1/4"	6 1/16"
11 3/4"	11 1/2"	8 3/8"

For use with 1 1/2" or 2" heights

Standard Stock Sizes of Diamond-Grip® Stair Treads:

- D415424E 24" (W) x 9 1/2" (D) x 1 1/2" (H)
- D415430E 30" (W) x 9 1/2" (D) x 1 1/2" (H)
- D415436E 36" (W) x 9 1/2" (D) x 1 1/2" (H)

Safety-Grip® / Safety-Tread® Treads



"A" TREAD DEPTH (CHANNEL WIDTH)	CARRIER PLATE WIDTH	DIMENSION "C"
5"	4 7/8"	2 1/8"
7"	6 7/8"	4 1/8"
10"	9 7/8"	7 1/8"
12"	11 7/8"	9 1/8"
18"	17 7/8"	15 1/8"

For use with 1 1/2" or 2" heights

Standard Stock Sizes of Safety-Grip® Stair Treads:

- S515324E 24" (W) x 10" (D) x 1 1/2" (H)
- S515330E 30" (W) x 10" (D) x 1 1/2" (H)
- S515336E 36" (W) x 10" (D) x 1 1/2" (H)